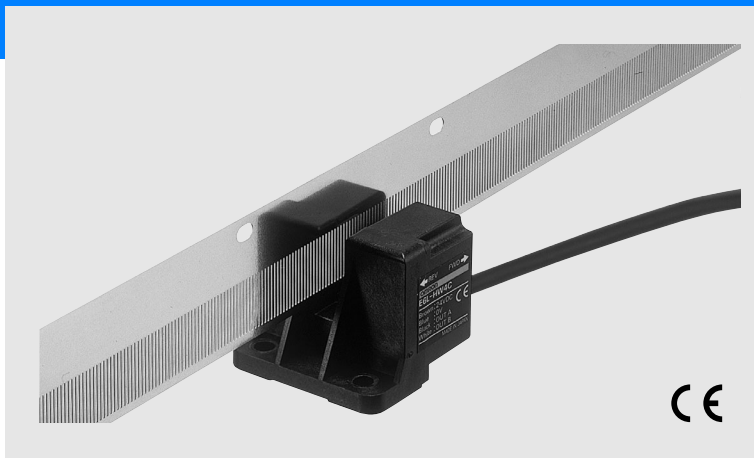


Easy scale (linear encoder)

E6L

Best for conveyance use

- It is strong for scale fluttering because of an original optical system design (detection scale: 6 mm \pm 3 mm)
- Low cost original optical system design
- Suitable for positioning of conveyance use 1 mm resolution
- Two types (280 mm and 475 mm) of detection scale length are available. Scale to be chosen as required.
- Extension of a detection stroke by two or more connection of a scale is possible.



Ordering Information

Linear encoder

Supply voltage	Resolution	Model
24 VDC	1 mm	E6L-HW4C

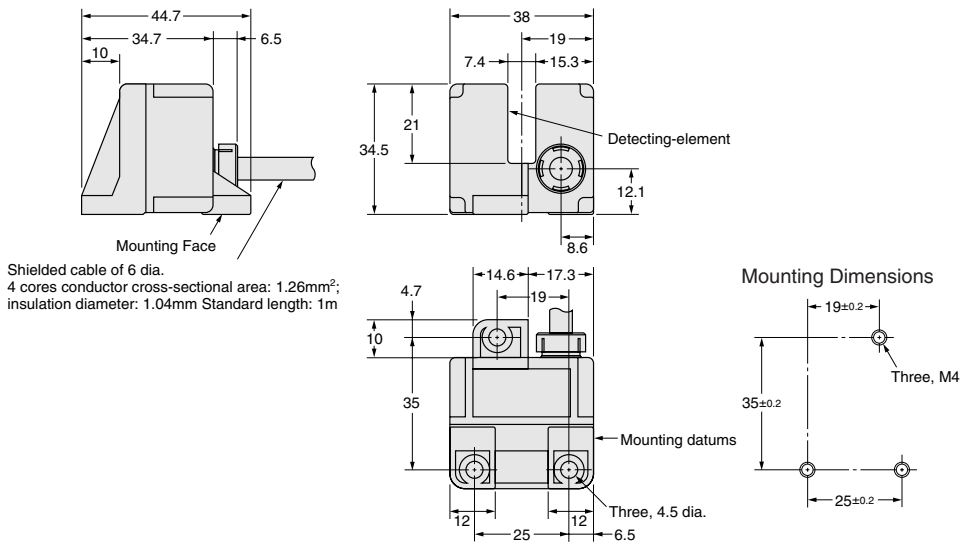
Detection scale

Overall length	Package	Model
280 mm	1	E6L-S1M-1280
	10	E6L-S1M-10280
475mm	1	E6L-S1M-1475
	10	E6L-S1M-10475

Dimensions (Unit: mm)

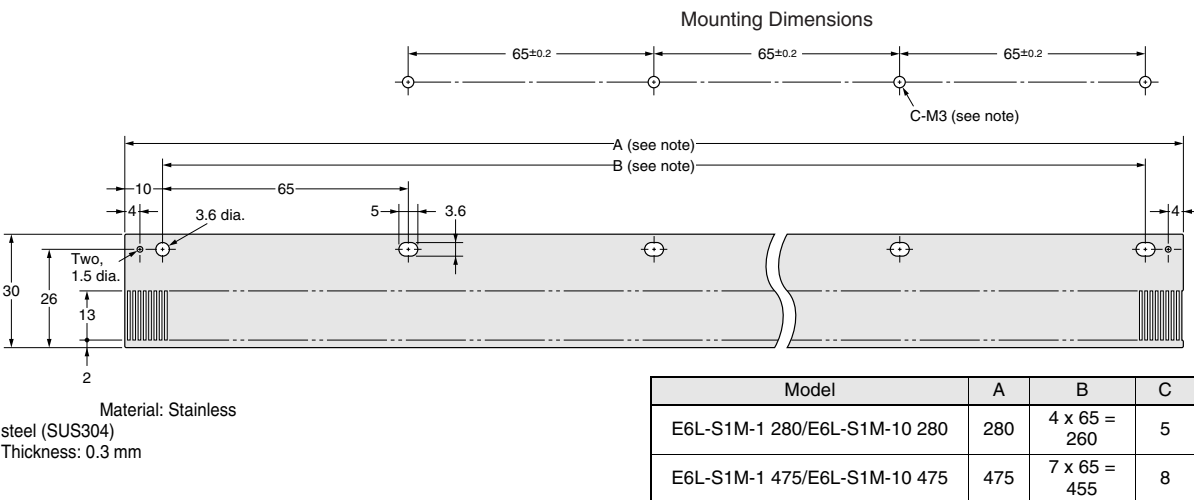
Linear encoder

E6L-HW4C



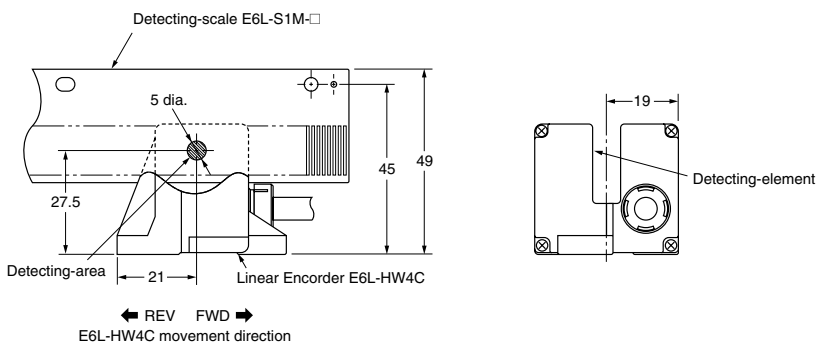
Detection scale

- E6L-S1M-1280
- E6L-S1M-10280
- E6L-S1M-1475
- E6L-S1M-10475



Installation dimensions

E6L-HW4C+E6L-S1M-□



Note: If either an E6L-HW4C side nor the E6L-S1M side is used in the moving state, "FWD" and "REV" of E6L-HW4C show the direction to which E6L-HW4C performs a relative movement to E6L-S1M. (based on the scale)

ALL DIMENSIONS SHOWN ARE IN MILLIMETERS.
To convert millimeters into inches, multiply by 0.03937. To convert grams into ounces, multiply by 0.03527.