

Absolute Rotary Encoder

E6C3-A

An Encoder That Offers Durability and Convenience

- IP65f drip-proof, oil-proof construction achieved with seal bearing.
- 8-mm-dia stainless steel shaft withstands a shaft loading of 80 N and 50 N respectively in the radial and thrust directions.
- Absolute Rotary Encoders have a metal slit plate to ensure high resistance to shock.
- Combining Absolute Rotary Encoders with a Programmable Controller or Cam Positioner allows ideal angle control.
- Bears CE markings (EMC Directives) and conforms to EN/IEC standards, making it suitable for the European market.



Ordering Information

Sensors

Supply voltage	Output form	Output code	Resolution (pulse/rotation)	Connection method	Model
12 to 24VDC	NPN open collector output	Gray code	256	Connector type	E6C3-AG5C-C
			256, 360, 720, 1,024		E6C3-AG5C
		Binary	32, 40		E6C3-AN5C
	PNP open collector output	BCD	6, 8, 12		E6C3-AB5C
		Gray code	256, 360, 720, 1,024		E6C3-AG5B
		Binary	32, 40		E6C3-AN5B
5 VDC	NPN voltage output	Binary	Pre-wired type	E6C3-AB5B	
12 VDC				E6C3-AN1E	
					E6C3-AN2E

Note: 1. When ordering, specify the resolution in addition to the model numbers. (Example: E6C3-AG5C 360P/R 1M)
 2. Models with 2-m cables are also available as standard products. Specify the cable length at the end of the model number. (Example: E6C3-AG5C 360P/R 2M)
 3. When connecting to the H8PS, be sure to use the E6C3-AG5C-C 256P/R.

Accessories (Order Separately)

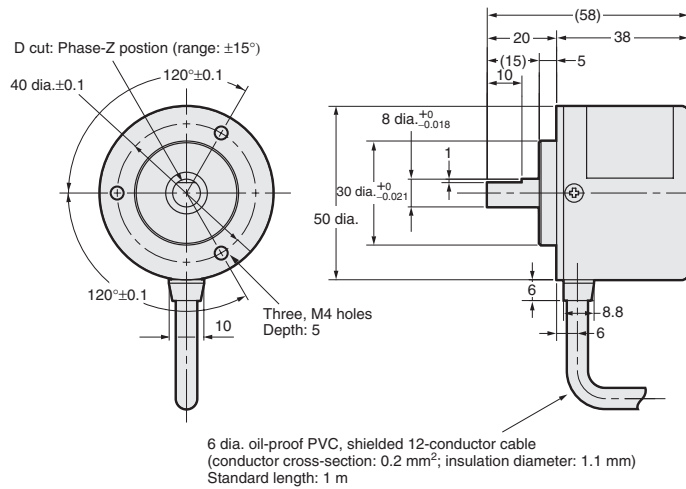
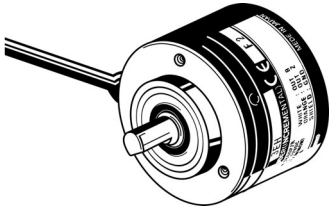
Item	Model	Remarks
Coupling	E69-C08B	---
	E69-C68B	Diameters of ends: 6 to 8 dia.
Flange	E69-FCA03	---
	E69-FCA04	E69-2 Servo Mounting Bracket provided.
Servo Mounting Bracket	E69-2	Provided with the E69-FCA04 Flange.
Extension Cable	E69-DF5	5 m
	E69-DF10	10 m
	E69-DF20	30 m
		Applicable for the E6C3-AG5C-C. 15- and 98-m-long Extension Cables are also available.

Dimensions (Unit: mm)

Sensors

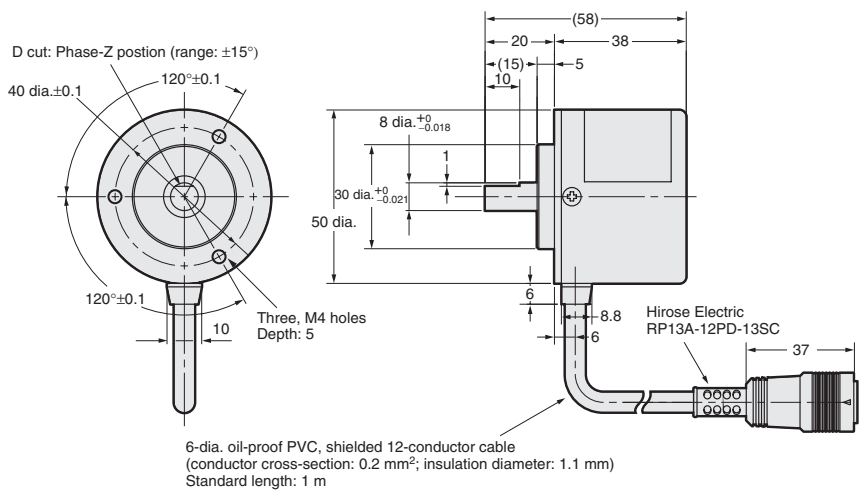
E6C3-A□5□

E6C3-AN□E



Note: E69-C08B is sold separately.

E6C3-AG5C-C



Note: E69-C08B is sold separately.

ALL DIMENSIONS SHOWN ARE IN MILLIMETERS.

To convert millimeters into inches, multiply by 0.03937. To convert grams into ounces, multiply by 0.03527.