

Incremental Rotary Encoder OD 50 dia. (thin)

E6C2-C/E6C3-C

Tough & Easy

- Drip-proof, oil-proof construction meets IP64F standards
- Shaft withstanding heavy loads, 80 N radially, 50 N thrust (axially)
- Protective Circuit Output Shorting
- Space-saving, A-slant cable protrusion for easy installation
- Shock resistance strengthened by metal disk.
E6C2-C: 600P/R max.
E6C3-C□H: 500P/R max.



Ordering Information

Sensors

	Power supply voltage	Output form	Resolution (pulse/rotation)	Model
Standard models	5 to 24 VDC	NPN open collector output	10, 20, 30, 40, 50, 60, 100, 200, 300, 360, 400, 500, 600	E6C2-CWZ6C
			720, 800, 1,000, 1,024, 1,200, 1,500, 1,800, 2,000	
	12 to 24VDC	PNP open collector output	100, 200, 360, 500, 600	E6C2-CWZ5B
			1,000, 2,000	
5 to 12 VDC	NPN voltage output	10, 20, 30, 40, 50, 60, 100, 200, 300, 360, 400, 500, 600	E6C2-CWZ3E	
		720, 800, 1,000, 1,024, 1,200, 1,500, 1,800, 2,000		
5 VDC	Line driver output	10, 20, 30, 40, 50, 60, 100, 200, 300, 360, 400, 500, 600	E6C2-CWZ1X	
		720, 800, 1,000, 1,024, 1,200, 1,500, 1,800, 2,000		
8 dia. tough model	12 to 24VDC	Complimentary output	100, 200	E6C3-CWZ5GH
			300, 360, 500, 600, 720, 800, 1,000, 1,024, 1,200, 1,500, 1,800, 2,000, 2,048, 2,500, 3,600	
	5 to 12 VDC	NPN voltage output	100, 200	E6C3-CWZ3EH
			300, 360, 500, 600, 720, 800, 1,000, 1,024, 1,200, 1,500, 1,800, 2,000, 2,048, 2,500, 3,600	
	5 to 12 VDC	Line driver output	100, 200	E6C3-CWZ3XH
			300, 360, 500, 600, 720, 800, 1,000, 1,024, 1,200, 1,500, 1,800, 2,000, 2,048, 2,500, 3,600	

Note: For order placement add the resolution (pulses per revolution) between the part number. For example, E6C2-CWZ6C 100P/R.

Accessories (Order Separately)

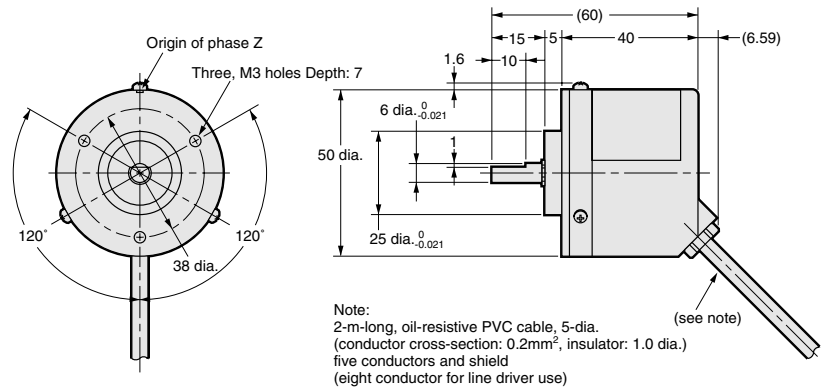
Item	Model	Applicable Rotary Encoders	Remarks
Coupling	E69-C06B	E6C2-CWZ□	---
	E69-C68B	E6C3-CWZ□/□H	Diameter of ends: 6 to 8 dia.
	E69-C06M	E6C2-CWZ□	Metal construction
	E69-C08B	E6C3-CWZ□H	
Flanges	E69-FCA	E6C2-CWZ□	---
	E69-FCA02		
	E69-FCA03	E6C3-CWZ□H	
	E69-FCA04		
Mounting Bracket	E69-2	---	Provided with the E69-FCA02 and E69-FCA04 Flange.

Dimensions (Unit: mm)

Sensors

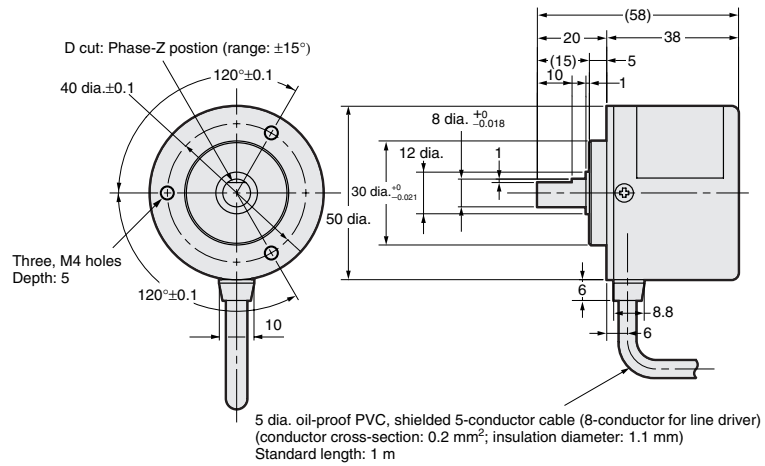
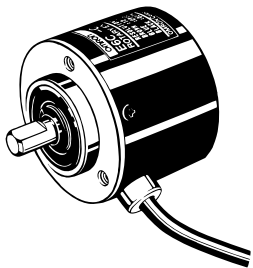
Standard

E6C2-CWZ□□



Solid 8 dia. Shaft Model

E6C3-CWZ□□H



ALL DIMENSIONS SHOWN ARE IN MILLIMETERS.
To convert millimeters into inches, multiply by 0.03937. To convert grams into ounces, multiply by 0.03527.