

MicroHAWK V420-F

Autofocus Multicode Reader




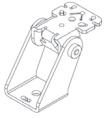

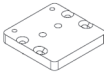
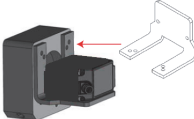

Autofocus to read codes at different distances.

- Simple configuration with WebLink.
- 5 megapixel sensor available.
- Autofocus available.
- Serial RS-232, USB, or Ethernet over USB.
- IP54.
- Corner-exit cable.



MicroHAWK V420-F

Mounting Options

Appearance	Type	Part Number
	L Bracket Adjustable Angle Mounting Kit	V430-AM0
	1/4-20 Camera Mounting Block Kit	V430-AM1
	4" (102 mm) Ram Mount Stand	V430-AM2
	APG Pan and Tilt Camera Mount	V430-AM3
	Nylon Screw and Washer Electrical Isolation Mounting Kit	V430-AM4
	MS-4 / MINI to V/F4XX-F Adapter Plate	V430-AM5
	Smart Ring Light to V/F4XX-F Mounting Bracket	V430-AM6
	QX / Vision HAWK to V/F4XX-F Adapter Plate	V430-AM7

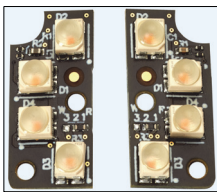
Optics Options

Appearance	Type	Part Number
	Front Window – Installation Kit	V430-AF10 *
	Diffuser – Installation Kit	V430-AF11 *
	Polarizer – Installation Kit	V430-AF12 *
	Right Angle Mirror – Installation Kit	V430-AF3
	YAG Filter – Installation Kit	V430-AF4
	ESD-Safe Window – Installation Kit	V430-AF5
	Red Filter – Installation Kit	V430-AF6
	Blue Filter – Installation Kit	V430-AF7

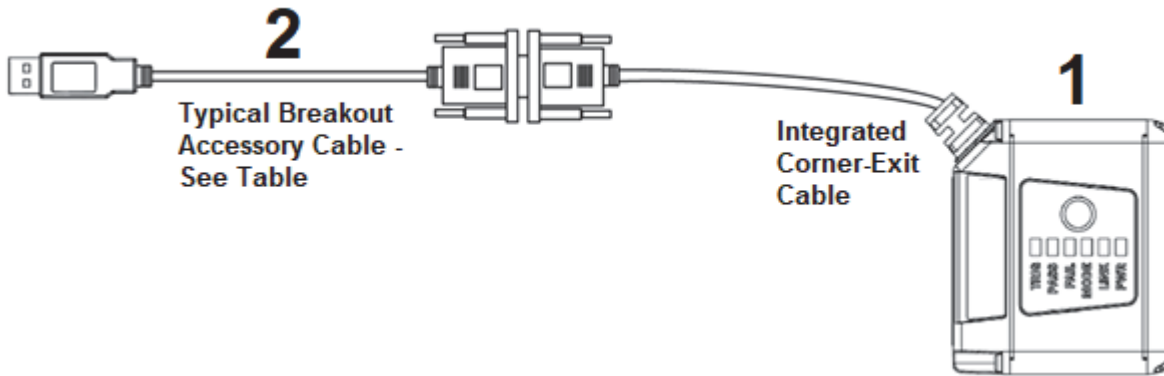
* Note: V430-AF10, AF11, and AF12 are used for **MicroHAWK V/F4X0-FXXXXXXX-XXX** readers in this datasheet. The prior generation **MicroHAWK V430-FXXXXXXX** code reader uses part numbers V430-AF0, AF1, and AF2. Please select the correct accessory from the table based on your reader part number format.

Accessory	Prior V430-FXXXXXXX Code Reader	New V/F4X0-FXXXXXXX-XXX Code Reader and Smart Camera
Front Window Installation Kit	V430-AF0	V430-AF10
Diffuser Installation Kit	V430-AF1	V430-AF11
Polarizer Installation Kit	V430-AF2	V430-AF12

Lighting Options

Appearance	Type	Part Number
	Red Light – Installation Kit	V430-ALR
	White Light – Installation Kit	V430-ALW
	Blue Light – Installation Kit	V430-ALB
	IR Light – Installation Kit	V430-ALI

Wiring Options



Drawing Reference	Appearance	Category	Length / Spec	Part Number
2	Accessory USB Cable To Host	USB Breakout Cable	1 Meter	V420-WUB-1M
	Accessory USB Cable To Host Power Supply	Cable – USB Breakout with External Power Input	1 Meter	V420-WUX-1M
		Power Supply	2 Meters	97-9000006-01
	Kit – Cable and Power Supply	Kit – Cable and Power Supply		V420-AC1
		To Host Power Supply	Cable – RS-232 Breakout (DB-15) and External Power Input	1 Meter
	To Power Supply Accessory USB Cable To Host	Power Supply	2 Meters	97-9000006-01
		Kit – Cable and Power Supply		V420-AC0
IO To Power Supply Accessory USB Cable To Host	Cable – USB, IO, and Power Breakout	1 Meter	V420-WU8X-1M	
	Power Supply	2 Meters	97-000011-02	
IO USB Breakout To Power RS-232 Breakout	Cable – RS-232, USB, IO, and Power Breakout	1 Meter	V420-WRU8X-1M	
	Power Supply	2 Meters	97-000011-02	
	Cable – Trigger, IO, and Power Breakout	900 MM	61-000151-01	

V420-F

V420-F Part Number Structure

Use this legend when defining product part numbers. Please note that not all combinations of parameters are valid. For instance, color cameras are only available with white lighting, and 400 mm fixed focus is only available with UHD lenses. When ordering, use valid part numbers from the tables in the Ordering Information section only.

V420-F[XXX][Y][ZZZ]-[L][C][P]

Key	Classification	Code	Meaning
XXX	Focus Distance (mm)	000	Autofocus – Variable Distance
		050	Fixed Focus at 50 mm
		064	Fixed Focus at 64 mm
		081	Fixed Focus at 81 mm
		102	Fixed Focus at 102 mm
		133	Fixed Focus at 133 mm
		190	Fixed Focus at 190 mm
		300	Fixed Focus at 300 mm
		400	Fixed Focus at 400 mm
Y	Lens	W	Wide Field of View – 5.2 mm Focal Length Lens
		M	Medium Field of View – 7.7 mm Focal Length Lens
		N	Narrow Field of View – 16 mm Focal Length Lens
		L	Narrow 16 mm Lens – Autofocus to 1160 mm
ZZZ	Sensor	03M	752 x 480 (0.3 MP) Pixel, Mono Sensor, Global Shutter
		12M	1280 x 960 (1.2 MP) Pixel, Mono Sensor, Global Shutter
		50C	2592 x 1944 (5 MP) Pixel, Color Sensor, Rolling Shutter
L	Light Type	N	No Outer Light
		S	Standard Outer Light
C	Light Color	N	No Outer Light
		R	Red
		W	White
P	Software License	P	High Speed, Plus Mode
		X	High Speed, X-Mode

Example Part Numbers:

- V420-F081W03M-NNP: Fixed Focus at 81 mm, Wide Lens, 0.3 MP Monochrome Sensor, No Outer Light, High Speed, Plus Mode
- V420-F000W50C-SWP: Autofocus, Wide Lens, 5 MP Color, Standard Light, White, High Speed, Plus Mode

V420-F Valid Product Matrix

Model	Category	Focus Type	Sensor	Lens	Focus Distance (mm)	Light	License
V420-F	Monochrome	Fixed Focus	03M, 12M	W, M	50, 64, 81, 102, 133, 190, 300	None, Red, White	P, X
			12M	N	64, 400	None, Red, White	P, X
		Autofocus	03M	W, M	50 <-> 300 Autofocus	None, Red, White	P, X
			12M	W, M, N	50 <-> 300 (W, M) 40 <-> 150 (N) Autofocus	None, Red, White	P, X
	Color	Fixed Focus	50C	W, M	50, 64, 81, 102, 133, 190, 300	None, White	P, X
		Autofocus	50C	W, M	50 <-> 300 Autofocus	None, White	P, X
	Specialty	Long Range Autofocus	12M	L	75 <-> 1160 Autofocus	None, Red, White	P, X

V420-F Ordering Information

Categories:

1. Fixed Focus Camera

- a.) V420-F Monochrome Fixed Focus Camera
- b.) V420-F Color Fixed Focus Camera
- c.) V420-F 1.2 MP Monochrome Fixed Focus Camera with Narrow Lens

2. Autofocus Camera

- a.) V420-F 0.3 MP Monochrome Autofocus Camera (50 -300 mm)
- b.) V420-F 1.2 MP Monochrome Autofocus Camera (50 – 300 mm for Wide and Medium Lens, 40 – 150 mm for Narrow Lens)
- c.) V420-F Color Autofocus Camera (50 - 300 mm)
- d.) V420-F 1.2 MP Monochrome Long Range Autofocus Camera (75 - 1160 mm)

1a) V420-F Monochrome Fixed Focus Camera: Valid Combinations

V420-F[XXX][Y][ZZZ]-[L][C][P]

Key	Classification	Code	Meaning
XXX	Focus Distance (mm)	050	Fixed Focus at 50 mm
		064	Fixed Focus at 64 mm
		081	Fixed Focus at 81 mm
		102	Fixed Focus at 102 mm
		133	Fixed Focus at 133 mm
		190	Fixed Focus at 190 mm
		300	Fixed Focus at 300 mm
Y	Lens	W	Wide Field of View - 5.2 mm Focal Length Lens
		M	Medium Field of View – 7.7 mm Focal Length Lens
ZZZ	Sensor	03M	752 x 480 (0.3 MP) Pixel, Mono Sensor, Global Shutter
		12M	1280 x 960 (1.2 MP) Pixel, Mono Sensor, Global Shutter
L	Light Type	N	No Outer Light
		S	Standard Outer Light
C	Light Color	N	No Outer Light
		R	Red
		W	White
P	Software License	P	High Speed, Plus Mode
		X	High Speed, X-Mode

1b) V420-F 5.0 MP Color Fixed Focus Camera: Valid Combinations

Note: 5 MP Color cameras are available with No Outer Light or White Light options only.

V420-F[XXX][Y]50C-[L][C][P]

Key	Classification	Code	Meaning
XXX	Focus Distance (mm)	050	Fixed Focus at 50 mm
		064	Fixed Focus at 64 mm
		081	Fixed Focus at 81 mm
		102	Fixed Focus at 102 mm
		133	Fixed Focus at 133 mm
		190	Fixed Focus at 190 mm
		300	Fixed Focus at 300 mm
Y	Lens	W	Wide Field of View - 5.2 mm Focal Length Lens
		M	Medium Field of View – 7.7 mm Focal Length Lens
L	Light Type	N	No Outer Light
		S	Standard Outer Light
C	Light Color	N	No Outer Light
		W	White
P	Software License	P	High Speed, Plus Mode
		X	High Speed, X-Mode

V420-F

1c) V420-F 1.2 MP Monochrome Fixed Focus Camera with Narrow Lens: Valid Combinations

Note: Fixed Focus Narrow lens option available for 1.2 MP Mono camera only.

V420-F[XXX]N12M-[L][C][P]

Key	Classification	Code	Meaning
XXX	Focus Distance (mm)	064	Fixed Focus at 64 mm
		400	Fixed Focus at 400 mm
L	Light Type	N	No Outer Light
		S	Standard Outer Light
C	Light Color	N	No Outer Light
		R	Red
		W	White
P	Software License	P	High Speed, Plus Mode
		X	High Speed, X-Mode

2a) V420-F 0.3 MP Monochrome Autofocus Camera (50 - 300 mm): Valid Combinations

V420-F000[Y]03M-[L][C][P]

Key	Classification	Code	Meaning
Y	Lens	W	Wide Field of View - 5.2 mm Focal Length Lens
		M	Medium Field of View – 7.7 mm Focal Length Lens
L	Light Type	N	No Outer Light
		S	Standard Outer Light
C	Light Color	N	No Outer Light
		R	Red
		W	White
P	Software License	P	High Speed, Plus Mode
		X	High Speed, X-Mode

2b) V420-F 1.2 MP Monochrome Autofocus Camera (50 – 300 mm for Wide and Medium, 40 – 150 mm for Narrow): Valid Combinations

V420-F000[Y]12M-[L][C][P]

Key	Classification	Code	Meaning
Y	Lens	W	Wide Field of View - 5.2 mm Focal Length Lens
		M	Medium Field of View – 7.7 mm Focal Length Lens
		N	Narrow Field of View – 16 mm Focal Length Lens
L	Light Type	N	No Outer Light
		S	Standard Outer Light
C	Light Color	N	No Outer Light
		R	Red
		W	White
P	Software License	P	High Speed, Plus Mode
		X	High Speed, X-Mode

2c) V420-F 5.0 MP Color Autofocus Camera (50 - 300 mm): Valid Combinations

Note: Narrow Autofocus lens option not available for color camera.

V420-F000[Y]50C-[L][C][P]

Key	Classification	Code	Meaning
Y	Lens	W	Wide Field of View - 5.2 mm Focal Length Lens
		M	Medium Field of View – 7.7 mm Focal Length Lens
L	Light Type	N	No Outer Light
		S	Standard Outer Light
C	Light Color	N	No Outer Light
		W	White
P	Software License	P	High Speed, Plus Mode
		X	High Speed, X-Mode

2d) V420-F 1.2 MP Monochrome Long Range Autofocus Camera (75 - 1160 mm): Valid Combinations

Note: Autofocus Long Range lens option available for 1.2 MP Monochrome camera only.

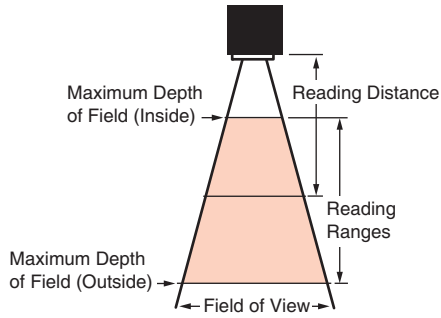
V420-F000L12M-[L][C][P]

Key	Classification	Code	Meaning
L	Light Type	N	No Outer Light
		S	Standard Outer Light
C	Light Color	N	No Outer Light
		R	Red
		W	White
P	Software License	P	High Speed, Plus Mode
		X	High Speed, X-Mode

V420-F

Field of View Charts

Specifications are subject to change.



Fixed Focus Field of View (mm) - Wide Lens

Distance (mm)	0.3 MP		1.2 MP		5 MP	
	Width	Height	Width	Height	Width	Height
50	49	32	53	39	50	38
64	62	39	66	49	63	47
81	76	49	81	61	78	58
102	95	60	101	75	96	72
133	121	78	129	97	124	92
190	171	109	182	136	174	130
300	266	170	283	213	271	202

Fixed Focus Field of View (mm) - Medium Lens

Distance (mm)	0.3 MP		1.2 MP		5 MP	
	Width	Height	Width	Height	Width	Height
50	34	22	36	27	35	26
64	43	27	45	34	43	32
81	53	34	56	42	54	40
102	66	42	70	52	67	50
133	84	54	90	67	86	64
190	119	76	126	95	121	90
300	185	118	196	147	188	140

Fixed Focus Field of View (mm) - Narrow Lens

Distance (mm)	1.2 MP	
	Width	Height
64	21	15
400	118	88

Autofocus Field of View (mm) - Wide Lens

Distance (mm)	0.3 MP		1.2 MP		5 MP	
	Width	Height	Width	Height	Width	Height
50	51	33	55	41	52	39
100	97	62	103	77	98	73
150	142	90	151	113	144	107
200	187	119	199	149	190	142
250	232	148	247	185	236	176
300	277	177	295	221	282	210

Autofocus Field of View (mm) - Medium Lens

Distance (mm)	0.3 MP		1.2 MP		5 MP	
	Width	Height	Width	Height	Width	Height
50	33	21	36	27	34	25
100	63	40	67	50	64	48
150	92	59	98	73	94	70
200	121	77	129	97	123	92
250	151	96	160	120	153	114
300	180	115	191	144	183	136

Autofocus Field of View (mm) - Narrow Lens

Distance (mm)	1.2 MP	
	Width	Height
50	16	12
100	31	23
150	45	34

Long Range Autofocus Field of View (mm)

Distance (mm)	1.2 MP	
	Width	Height
75	24	18
100	31	23
200	60	45
300	89	67
400	118	88
500	147	110
600	176	132
700	204	153
800	233	175
900	262	197
1000	291	218
1200	349	262
1300	378	283
1400	407	305
1500	436	327

Readability Tables

The readability tables on the following pages are designed to help users choose the best read-distance, sensor, and lens combination to read their particular code size and code type successfully.

The readability tables show the calculated PPE (pixels per element) for a range of typical code sizes at all the MicroHAWK Fixed Focus distances with the Wide, Medium, Narrow, and Long Range lens as well as with the 0.3MP, 1.2MP, and 5MP sensors.

PPE is defined as the following for 1D and 2D codes:

- PPE for 1D codes is the number of pixels across the thinnest bar in the barcode.
- PPE for 2D codes is the number of pixels across a single code cell.

The tables show a color code for readability based on Direct Part Marks (DPM) where red means not likely to read, and green means that it should read. The tables also show a range of colors between red and green, while showing the zone where read rates may be acceptable for high-contrast, well-printed labels and can be considered. See the 1D and 2D Code Readability Guidelines below for Minimum and Preferred PPE for both DPM marks and high-contrast labels.



1D Code Readability Guidelines

High-Contrast Labels

- 1.5 pixels per thin bar is suggested minimum;
- 2 pixels or more per thin bar is preferred.

Direct Part Marks

- 2 pixels per thin bar is suggested minimum;
- 2.5 pixels or more per thin bar is preferred.

2D Code Readability Guidelines

High-Contrast Labels

- 2.5 – 2.75 pixels per 2D cell is suggested minimum;
- 3.5 – 5 pixels per 2D cell is preferred.

Direct Part Marks

- 3.25 pixels per 2D Cell is suggested minimum;
- 4 – 6 pixels per 2D Cell is preferred.

Readability Table – 0.3 Megapixel

= Maximum Readability
 = Minimum Readability

0.3 Megapixel – Pixels Per Element / Readability Chart																		
Minimum Element Size	Readability of 1D Code at Distance (mm)								Lens	Readability of 2D Code at Distance (mm)								
	50	64	81	102	133	190	300	400		50	64	81	102	133	190	300	400	
2 mil	0.7	0.6	0.5	0.4	0.3	0.2	0.1	0.1	Wide Lens	0.7	0.6	0.5	0.4	0.3	0.2	0.1	0.1	
2.5 mil	0.9	0.7	0.6	0.5	0.4	0.3	0.2	0.1		0.9	0.7	0.6	0.5	0.4	0.3	0.2	0.1	0.1
3.3 mil	1.2	1.0	0.8	0.6	0.5	0.4	0.2	0.2		1.2	1.0	0.8	0.6	0.5	0.4	0.2	0.2	0.2
5 mil	1.9	1.5	1.2	1.0	0.8	0.5	0.3	0.3		1.9	1.5	1.2	1.0	0.8	0.5	0.3	0.3	0.3
7.5 mil	2.8	2.2	1.8	1.5	1.1	0.8	0.5	0.4		2.8	2.2	1.8	1.5	1.1	0.8	0.5	0.4	0.4
10 mil	3.7	3.0	2.4	1.9	1.5	1.1	0.7	0.5		3.7	3.0	2.4	1.9	1.5	1.1	0.7	0.5	0.5
15 mil	5.6	4.5	3.6	2.9	2.3	1.6	1.0	0.8		5.6	4.5	3.6	2.9	2.3	1.6	1.0	0.8	0.8
20 mil	7.4	6.0	4.8	3.9	3.0	2.1	1.4	1.0		7.4	6.0	4.8	3.9	3.0	2.1	1.4	1.0	1.0
30 mil	11.1	8.9	7.2	5.8	4.5	3.2	2.1	1.6		11.1	8.9	7.2	5.8	4.5	3.2	2.1	1.6	1.6
40 mil	14.9	11.9	9.6	7.8	6.0	4.3	2.8	2.1		14.9	11.9	9.6	7.8	6.0	4.3	2.8	2.1	2.1

2 mil	1.2	1.0	0.8	0.6	0.5	0.3	0.2	0.2	Medium Lens	1.2	1.0	0.8	0.6	0.5	0.3	0.2	0.2	
2.5 mil	1.5	1.2	1.0	0.8	0.6	0.4	0.3	0.2		1.5	1.2	1.0	0.8	0.6	0.4	0.3	0.2	0.2
3.3 mil	2.0	1.6	1.3	1.0	0.8	0.6	0.4	0.3		2.0	1.6	1.3	1.0	0.8	0.6	0.4	0.3	0.3
5 mil	3.0	2.4	1.9	1.6	1.2	0.9	0.6	0.4		3.0	2.4	1.9	1.6	1.2	0.9	0.6	0.4	0.4
7.5 mil	4.5	3.6	2.9	2.3	1.8	1.3	0.8	0.6		4.5	3.6	2.9	2.3	1.8	1.3	0.8	0.6	0.6
10 mil	5.9	4.8	3.8	3.1	2.4	1.7	1.1	0.8		5.9	4.8	3.8	3.1	2.4	1.7	1.1	0.8	0.8
15 mil	8.9	7.2	5.8	4.7	3.6	2.6	1.7	1.2		8.9	7.2	5.8	4.7	3.6	2.6	1.7	1.2	1.2
20 mil	11.9	9.5	7.7	6.2	4.8	3.4	2.2	1.7		11.9	9.5	7.7	6.2	4.8	3.4	2.2	1.7	1.7
30 mil	17.8	14.3	11.5	9.3	7.3	5.2	3.3	2.5		17.8	14.3	11.5	9.3	7.3	5.2	3.3	2.5	2.5
40 mil	23.8	19.1	15.4	12.4	9.7	6.9	4.4	3.3		23.8	19.1	15.4	12.4	9.7	6.9	4.4	3.3	3.3

2 mil	2.5	2.0	1.6	1.3	1.0	0.7	0.5	0.3	Narrow Lens	2.5	2.0	1.6	1.3	1.0	0.7	0.5	0.3	
2.5 mil	3.1	2.5	2.0	1.6	1.3	0.9	0.6	0.4		3.1	2.5	2.0	1.6	1.3	0.9	0.6	0.4	0.4
3.3 mil	4.1	3.3	2.6	2.1	1.7	1.2	0.8	0.6		4.1	3.3	2.6	2.1	1.7	1.2	0.8	0.6	0.6
5 mil	6.2	4.9	4.0	3.2	2.5	1.8	1.1	0.9		6.2	4.9	4.0	3.2	2.5	1.8	1.1	0.9	0.9
7.5 mil	9.2	7.4	6.0	4.8	3.8	2.7	1.7	1.3		9.2	7.4	6.0	4.8	3.8	2.7	1.7	1.3	1.3
10 mil	12.3	9.9	8.0	6.4	5.0	3.6	2.3	1.7		12.3	9.9	8.0	6.4	5.0	3.6	2.3	1.7	1.7
15 mil	18.5	14.8	12.0	9.7	7.5	5.4	3.4	2.6		18.5	14.8	12.0	9.7	7.5	5.4	3.4	2.6	2.6
20 mil	24.7	19.8	16.0	12.9	10.0	7.1	4.6	3.5		24.7	19.8	16.0	12.9	10.0	7.1	4.6	3.5	3.5
30 mil	37.0	29.7	24.0	19.3	15.1	10.7	6.9	5.2		37.0	29.7	24.0	19.3	15.1	10.7	6.9	5.2	5.2
40 mil	49.3	39.6	31.9	25.8	20.1	14.3	9.2	6.9		49.3	39.6	31.9	25.8	20.1	14.3	9.2	6.9	6.9

Readability Table – 1.2 Megapixel

1.2 Megapixel – Pixels Per Element / Readability Chart																	
Minimum Element Size	Readability of 1D Code at Distance (mm)								Lens	Readability of 2D Code at Distance (mm)							
	50	64	81	102	133	190	300	400		50	64	81	102	133	190	300	400
2 mil	1.2	1.0	0.8	0.6	0.5	0.4	0.2	0.2	Wide Lens	1.2	1.0	0.8	0.6	0.5	0.4	0.2	0.2
2.5 mil	1.5	1.2	1.0	0.8	0.6	0.4	0.3	0.2		1.5	1.2	1.0	0.8	0.6	0.4	0.3	0.2
3.3 mil	2.0	1.6	1.3	1.1	0.8	0.6	0.4	0.3		2.0	1.6	1.3	1.1	0.8	0.6	0.4	0.3
5 mil	3.1	2.5	2.0	1.6	1.3	0.9	0.6	0.4		3.1	2.5	2.0	1.6	1.3	0.9	0.6	0.4
7.5 mil	4.6	3.7	3.0	2.4	1.9	1.3	0.9	0.6		4.6	3.7	3.0	2.4	1.9	1.3	0.9	0.6
10 mil	6.2	5.0	4.0	3.2	2.5	1.8	1.1	0.9		6.2	5.0	4.0	3.2	2.5	1.8	1.1	0.9
15 mil	9.3	7.4	6.0	4.8	3.8	2.7	1.7	1.3		9.3	7.4	6.0	4.8	3.8	2.7	1.7	1.3
20 mil	12.4	9.9	8.0	6.5	5.0	3.6	2.3	1.7		12.4	9.9	8.0	6.5	5.0	3.6	2.3	1.7
30 mil	18.5	14.9	12.0	9.7	7.5	5.4	3.4	2.6		18.5	14.9	12.0	9.7	7.5	5.4	3.4	2.6
40 mil	24.7	19.8	16.0	12.9	10.1	7.2	4.6	3.5		24.7	19.8	16.0	12.9	10.1	7.2	4.6	3.5
2 mil	1.8	1.4	1.2	0.9	0.7	0.5	0.3	0.2	Medium Lens	1.8	1.4	1.2	0.9	0.7	0.5	0.3	0.2
2.5 mil	2.2	1.8	1.4	1.2	0.9	0.6	0.4	0.3		2.2	1.8	1.4	1.2	0.9	0.6	0.4	0.3
3.3 mil	2.9	2.4	1.9	1.5	1.2	0.9	0.5	0.4		2.9	2.4	1.9	1.5	1.2	0.9	0.5	0.4
5 mil	4.5	3.6	2.9	2.3	1.8	1.3	0.8	0.6		4.5	3.6	2.9	2.3	1.8	1.3	0.8	0.6
7.5 mil	6.7	5.4	4.3	3.5	2.7	1.9	1.2	0.9		6.7	5.4	4.3	3.5	2.7	1.9	1.2	0.9
10 mil	8.9	7.2	5.8	4.7	3.6	2.6	1.7	1.2		8.9	7.2	5.8	4.7	3.6	2.6	1.7	1.2
15 mil	13.4	10.7	8.7	7.0	5.4	3.9	2.5	1.9		13.4	10.7	8.7	7.0	5.4	3.9	2.5	1.9
20 mil	17.8	14.3	11.5	9.3	7.3	5.2	3.3	2.5		17.8	14.3	11.5	9.3	7.3	5.2	3.3	2.5
30 mil	26.7	21.5	17.3	14.0	10.9	7.7	5.0	3.7		26.7	21.5	17.3	14.0	10.9	7.7	5.0	3.7
40 mil	35.6	28.6	23.1	18.6	14.5	10.3	6.6	5.0		35.6	28.6	23.1	18.6	14.5	10.3	6.6	5.0
2 mil	3.9	3.2	2.6	2.1	1.6	1.1	0.7	0.6	Narrow Lens	3.9	3.2	2.6	2.1	1.6	1.1	0.7	0.6
2.5 mil	4.9	4.0	3.2	2.6	2.0	1.4	0.9	0.7		4.9	4.0	3.2	2.6	2.0	1.4	0.9	0.7
3.3 mil	6.5	5.2	4.2	3.4	2.7	1.9	1.2	0.9		6.5	5.2	4.2	3.4	2.7	1.9	1.2	0.9
5 mil	9.9	7.9	6.4	5.2	4.0	2.9	1.8	1.4		9.9	7.9	6.4	5.2	4.0	2.9	1.8	1.4
7.5 mil	14.8	11.9	9.6	7.7	6.0	4.3	2.7	2.1		14.8	11.9	9.6	7.7	6.0	4.3	2.7	2.1
10 mil	19.7	15.8	12.8	10.3	8.0	5.7	3.7	2.8		19.7	15.8	12.8	10.3	8.0	5.7	3.7	2.8
15 mil	29.6	23.8	19.2	15.5	12.0	8.6	5.5	4.1		29.6	23.8	19.2	15.5	12.0	8.6	5.5	4.1
20 mil	39.5	31.7	25.6	20.6	16.1	11.4	7.3	5.5		39.5	31.7	25.6	20.6	16.1	11.4	7.3	5.5
30 mil	59.2	47.5	38.3	30.9	24.1	17.1	11.0	8.3		59.2	47.5	38.3	30.9	24.1	17.1	11.0	8.3
40 mil	78.9	63.3	51.1	41.3	32.1	22.8	14.6	11.1		78.9	63.3	51.1	41.3	32.1	22.8	14.6	11.1

Readability Table – 5 Megapixel

5 Megapixel – Pixels Per Element / Readability Chart																	
Minimum Element Size	Readability of 1D Code at Distance (mm)								Lens	Readability of 2D Code at Distance (mm)							
	50	64	81	102	133	190	300	400		50	64	81	102	133	190	300	400
Wide Lens	2 mil	1.7	1.4	1.1	0.9	0.7	0.5	0.3	0.2	1.7	1.4	1.1	0.9	0.7	0.5	0.3	0.2
	2.5 mil	2.2	1.7	1.4	1.1	0.9	0.6	0.4	0.3	2.2	1.7	1.4	1.1	0.9	0.6	0.4	0.3
	3.3 mil	2.8	2.3	1.8	1.5	1.2	0.8	0.5	0.4	2.8	2.3	1.8	1.5	1.2	0.8	0.5	0.4
	5 mil	4.3	3.5	2.8	2.3	1.8	1.2	0.8	0.6	4.3	3.5	2.8	2.3	1.8	1.2	0.8	0.6
	7.5 mil	6.5	5.2	4.2	3.4	2.6	1.9	1.2	0.9	6.5	5.2	4.2	3.4	2.6	1.9	1.2	0.9
	10 mil	8.6	6.9	5.6	4.5	3.5	2.5	1.6	1.2	8.6	6.9	5.6	4.5	3.5	2.5	1.6	1.2
	15 mil	12.9	10.4	8.4	6.8	5.3	3.7	2.4	1.8	12.9	10.4	8.4	6.8	5.3	3.7	2.4	1.8
	20 mil	17.3	13.9	11.2	9.0	7.0	5.0	3.2	2.4	17.3	13.9	11.2	9.0	7.0	5.0	3.2	2.4
	30 mil	25.9	20.8	16.8	13.5	10.5	7.5	4.8	3.6	25.9	20.8	16.8	13.5	10.5	7.5	4.8	3.6
	40 mil	34.5	27.7	22.4	18.1	14.1	10.0	6.4	4.8	34.5	27.7	22.4	18.1	14.1	10.0	6.4	4.8
Medium Lens	2 mil	2.5	2.0	1.6	1.3	1.0	0.7	0.5	0.3	2.5	2.0	1.6	1.3	1.0	0.7	0.5	0.3
	2.5 mil	3.1	2.5	2.0	1.6	1.3	0.9	0.6	0.4	3.1	2.5	2.0	1.6	1.3	0.9	0.6	0.4
	3.3 mil	4.1	3.3	2.7	2.1	1.7	1.2	0.8	0.6	4.1	3.3	2.7	2.1	1.7	1.2	0.8	0.6
	5 mil	6.2	5.0	4.0	3.3	2.5	1.8	1.2	0.9	6.2	5.0	4.0	3.3	2.5	1.8	1.2	0.9
	7.5 mil	9.3	7.5	6.0	4.9	3.8	2.7	1.7	1.3	9.3	7.5	6.0	4.9	3.8	2.7	1.7	1.3
	10 mil	12.5	10.0	8.1	6.5	5.1	3.6	2.3	1.7	12.5	10.0	8.1	6.5	5.1	3.6	2.3	1.7
	15 mil	18.7	15.0	12.1	9.8	7.6	5.4	3.5	2.6	18.7	15.0	12.1	9.8	7.6	5.4	3.5	2.6
	20 mil	24.9	20.0	16.1	13.0	10.1	7.2	4.6	3.5	24.9	20.0	16.1	13.0	10.1	7.2	4.6	3.5
	30 mil	37.4	30.0	24.2	19.5	15.2	10.8	6.9	5.2	37.4	30.0	24.2	19.5	15.2	10.8	6.9	5.2
	40 mil	49.8	40.0	32.3	26.0	20.3	14.4	9.2	7.0	49.8	40.0	32.3	26.0	20.3	14.4	9.2	7.0
Narrow Lens	2 mil	5.5	4.4	3.6	2.9	2.2	1.6	1.0	0.8	5.5	4.4	3.6	2.9	2.2	1.6	1.0	0.8
	2.5 mil	6.9	5.5	4.5	3.6	2.8	2.0	1.3	1.0	6.9	5.5	4.5	3.6	2.8	2.0	1.3	1.0
	3.3 mil	9.1	7.3	5.9	4.8	3.7	2.6	1.7	1.3	9.1	7.3	5.9	4.8	3.7	2.6	1.7	1.3
	5 mil	13.8	11.1	8.9	7.2	5.6	4.0	2.6	1.9	13.8	11.1	8.9	7.2	5.6	4.0	2.6	1.9
	7.5 mil	20.7	16.6	13.4	10.8	8.4	6.0	3.8	2.9	20.7	16.6	13.4	10.8	8.4	6.0	3.8	2.9
	10 mil	27.6	22.1	17.8	14.4	11.2	8.0	5.1	3.9	27.6	22.1	17.8	14.4	11.2	8.0	5.1	3.9
	15 mil	41.3	33.2	26.8	21.6	16.8	12.0	7.7	5.8	41.3	33.2	26.8	21.6	16.8	12.0	7.7	5.8
	20 mil	55.1	44.2	35.7	28.8	22.4	15.9	10.2	7.7	55.1	44.2	35.7	28.8	22.4	15.9	10.2	7.7
	30 mil	82.7	66.4	53.5	43.2	33.7	23.9	15.3	11.6	82.7	66.4	53.5	43.2	33.7	23.9	15.3	11.6
	40 mil	110.2	88.5	71.4	57.6	44.9	31.9	20.5	15.4	110.2	88.5	71.4	57.6	44.9	31.9	20.5	15.4

Readability Table – Long Range

Long Range readability is shown out to 1,500 even though Autofocus is only specified out to 1,160. At the longest focus distance, the lens has a very deep depth of field. Large codes can actually be read beyond 2,000 mm.

Long Range 1.2 MP - Pixels Per Element/Readability Chart															
Readability of 1D Code at Distance (mm)															
Min Element Size	100	200	300	400	500	600	700	800	900	1000	1100	1200	1300	1400	1500
2 mil	2.10	1.09	0.73	0.55	0.44	0.37	0.32	0.28	0.25	0.22	0.20	0.19	0.17	0.16	0.15
2.5 mil	2.63	1.36	0.92	0.69	0.55	0.46	0.40	0.35	0.31	0.28	0.25	0.23	0.22	0.20	0.19
3.3 mil	3.47	1.79	1.21	0.91	0.73	0.61	0.52	0.46	0.41	0.37	0.34	0.31	0.28	0.26	0.25
5 mil	5.25	2.72	1.83	1.38	1.11	0.93	0.80	0.70	0.62	0.56	0.51	0.47	0.43	0.40	0.37
7.5 mil	7.88	4.07	2.75	2.07	1.66	1.39	1.19	1.04	0.93	0.84	0.76	0.70	0.65	0.60	0.56
10 mil	10.51	5.43	3.66	2.76	2.22	1.85	1.59	1.39	1.24	1.12	1.02	0.93	0.86	0.80	0.75
15 mil	15.76	8.15	5.49	4.14	3.33	2.78	2.39	2.09	1.86	1.67	1.52	1.40	1.29	1.20	1.12
20 mil	21.02	10.86	7.32	5.53	4.44	3.70	3.18	2.79	2.48	2.23	2.03	1.86	1.72	1.60	1.49
30 mil	31.52	16.30	10.99	8.29	6.65	5.56	4.77	4.18	3.72	3.35	3.05	2.79	2.58	2.40	2.24
40 mil	42.03	21.73	14.65	11.05	8.87	7.41	6.36	5.57	4.96	4.47	4.06	3.73	3.44	3.20	2.98

Readability of 2D Code at Distance (mm)															
Min Element Size	100	200	300	400	500	600	700	800	900	1000	1100	1200	1300	1400	1500
2 mil	2.10	1.09	0.73	0.55	0.44	0.37	0.32	0.28	0.25	0.22	0.20	0.19	0.17	0.16	0.15
2.5 mil	2.63	1.36	0.92	0.69	0.55	0.46	0.40	0.35	0.31	0.28	0.25	0.23	0.22	0.20	0.19
3.3 mil	3.47	1.79	1.21	0.91	0.73	0.61	0.52	0.46	0.41	0.37	0.34	0.31	0.28	0.26	0.25
5 mil	5.25	2.72	1.83	1.38	1.11	0.93	0.80	0.70	0.62	0.56	0.51	0.47	0.43	0.40	0.37
7.5 mil	7.88	4.07	2.75	2.07	1.66	1.39	1.19	1.04	0.93	0.84	0.76	0.70	0.65	0.60	0.56
10 mil	10.51	5.43	3.66	2.76	2.22	1.85	1.59	1.39	1.24	1.12	1.02	0.93	0.86	0.80	0.75
15 mil	15.76	8.15	5.49	4.14	3.33	2.78	2.39	2.09	1.86	1.67	1.52	1.40	1.29	1.20	1.12
20 mil	21.02	10.86	7.32	5.53	4.44	3.70	3.18	2.79	2.48	2.23	2.03	1.86	1.72	1.60	1.49
30 mil	31.52	16.30	10.99	8.29	6.65	5.56	4.77	4.18	3.72	3.35	3.05	2.79	2.58	2.40	2.24
40 mil	42.03	21.73	14.65	11.05	8.87	7.41	6.36	5.57	4.96	4.47	4.06	3.73	3.44	3.20	2.98

Ratings and Specifications

V420-F		V420-F□□□□03M-□□□	V420-F□□□□12M-□□□	V420-F□□□□50C-□□□
Symbologies *1	1D Symbologies	Code 39, Code 128, BC412, Interleaved 2 of 5, UPC/EAN, Codabar, Code 93, Pharmacode, PLANET, Postnet, Japanese Post, Australian Post, Royal Mail, Intelligent Mail, KIX		
	2D Symbologies	Data Matrix (ECC 0-200), QR Code, Micro QR Code, Aztec Code, DotCode		
	Stacked Symbologies	PDF417, MicroPDF417, GS1 Databar (Composite and Stacked)		
Reading Performance *2	Number of Reading Digits	No Upper Limit (depending on bar width and reading distance)		
	Aiming Light	Two Blue LEDs		
	Illumination	Inner LEDs: Four White and Four Red (Wavelength: 625 nm)		
		Outer LEDs: 8 Red or White	Outer LEDs: 8 Red or White	Outer LEDs: 8 White
	Reading Distance / Field of View	Refer to <i>Field of View Charts</i> for details.		
	Pitch Angle (α) *3	$\pm 30^\circ$		
	Skew Angle (β) *3	$\pm 30^\circ$		
Tilt Angle (γ) *3	$\pm 180^\circ$			
Image Capture	Focus	Liquid Lens Autofocus or Fixed Focus (Wide = 5.2 mm, Medium = 7.7 mm, Narrow = 16 mm, L = 16 mm)		
	Resolution	752 (H) x 480 (V)	1280 (H) x 960 (V)	2592 (H) x 1944 (V)
	Color / Monochrome	Monochrome CMOS	Monochrome CMOS	Color CMOS
	Shutter	Global Shutter	Global Shutter	Rolling Shutter
	Frames per Second	60 fps	42 fps	5 fps
	Exposure	50 to 100,000 μ s		
Image Logging	FTP			
Trigger	External Trigger (Edge or Level), Communication Trigger (Ethernet, RS-232C)			
I/O Specifications	Input Signals	Trigger Input: 5-28 V rated (0.16 mA @ 5V DC); New Master: 5 to 28 V rated (0.16 mA @ 5 VDC); Default: 3.3 V rated (0 mA @ 3.3 V)		
	Output Signals	3 Signals : 5 V TTL-compatible, can sink 10 mA and source 10 mA		
Communication	Connectivity	RS-232C, USB 2.0 High Speed, Ethernet over USB/HID		
	Ethernet Specifications	100BASE-TX / 10BASE-T		
Indicator LEDs	PASS (Green), TRIG (Amber), MODE (Amber), LINK (Amber), FAIL (Red), PWR (Green)			
Power Supply Voltage	5 VDC +/- 5%			
Current Consumption	650 mA at 5 VDC (max.)			
Environmental Immunity *4	Ambient Temperature Range	Operating: 0 to 45° C Storage: -50 to 75° C (No Icing or Condensation)		
	Ambient Humidity Range	Operating and storage: 5% to 95% (Non-Condensing)		
	Ambient Atmosphere	No Corrosive Gases		
	Vibration Resistance (Destructive)	Sine Vibration: 10 Hz to 55 Hz, 0.35 mm displacement, 20 cycles/axis. Random Vibration: 20 Hz to 2000 Hz, 6.295 Grms, 30 min/axis		
	Shock Resistance (Destructive)	50G, 11 ms, sawtooth profile. 3X in each X, Y, Z axis		
	Degree of Protection	IEC 60529 IP54		
Weight	Main Body Only	120 g		
	Packaging Weight	Approx. 230 g (including packing)		
Dimensions	Main Body Dimensions	44.5 (W) x 38.1 (D) x 25.4 (H) mm		
	Packaging Dimensions	170 (W) x 117 (D) x 86 (H) mm		
Accessories	ReadMeFirst, CE Compliance Sheet			
LED Safety Standard	IEC 62471-1: 2006 Risk-Exempt Group			
Safety Standards	EN 55024:2010, EN 55032:2015 + AC:2016 FCC Part 15, Subpart B (Class B) UL60950-1 BIS, RCM, KC, EAC, BSMI			
Materials	Case	Aluminum Diecast, Alumite (Black)		
	Reading Window	Acrylic		
Software	WebLink			

*1. These symbologies are supported based on Omron's read capability validation standard. Omron recommends that validation be performed for each application.

*2. Unless otherwise specified, reading performance is defined with center of field of view, angle $R=\infty$.

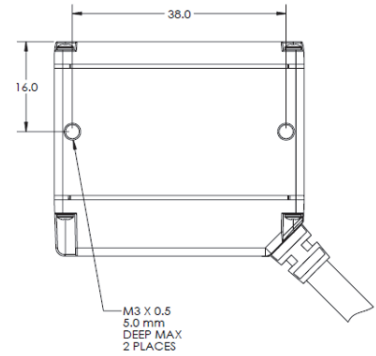
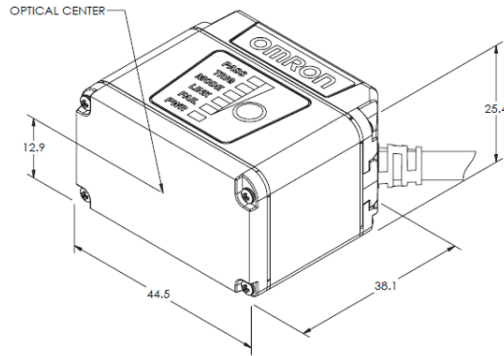


*4. In an electrically noisy environment, use only the V430-F in combination with a noise filter cable (V430-W□F-□M) to ensure proper operation.

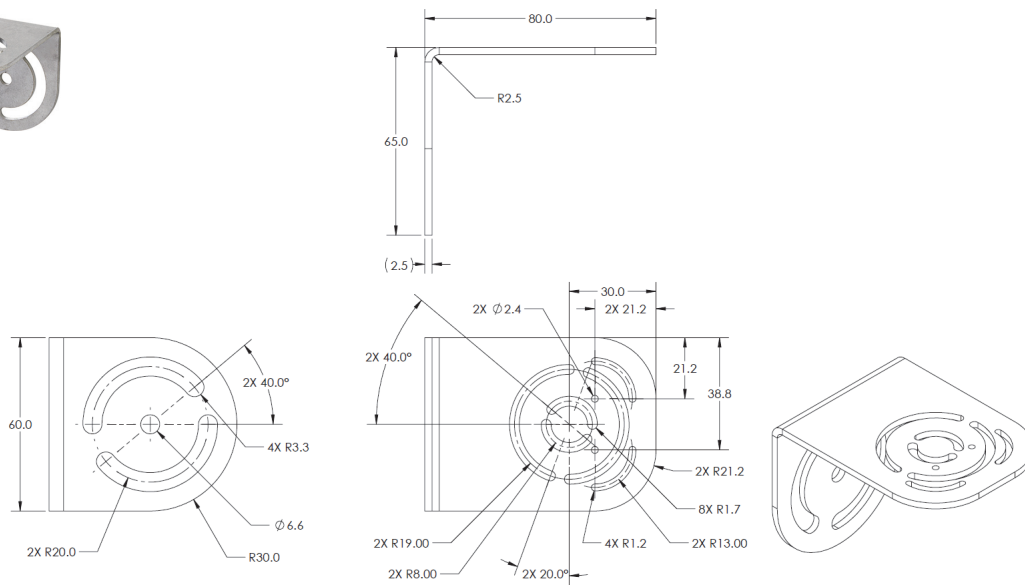
V420-F

Dimensions

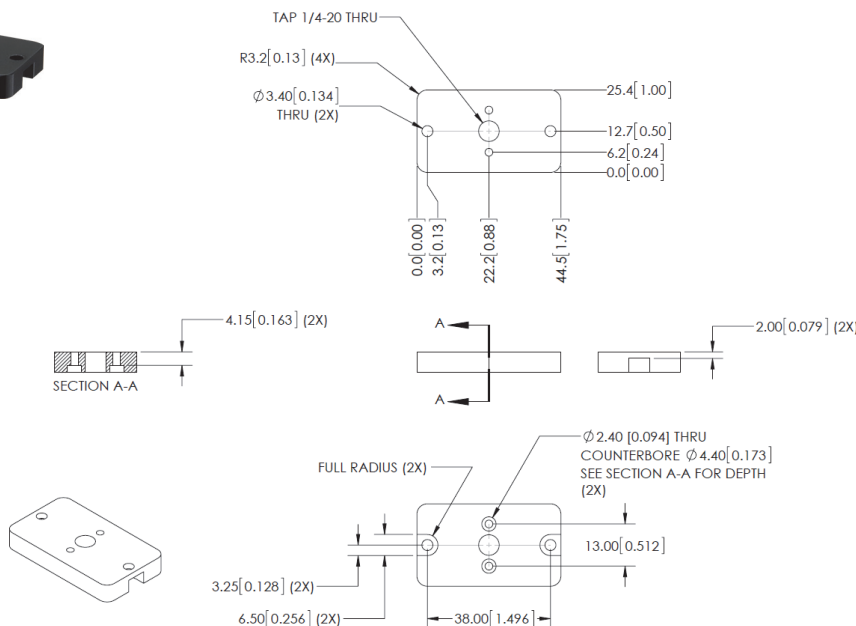
(Unit: mm)



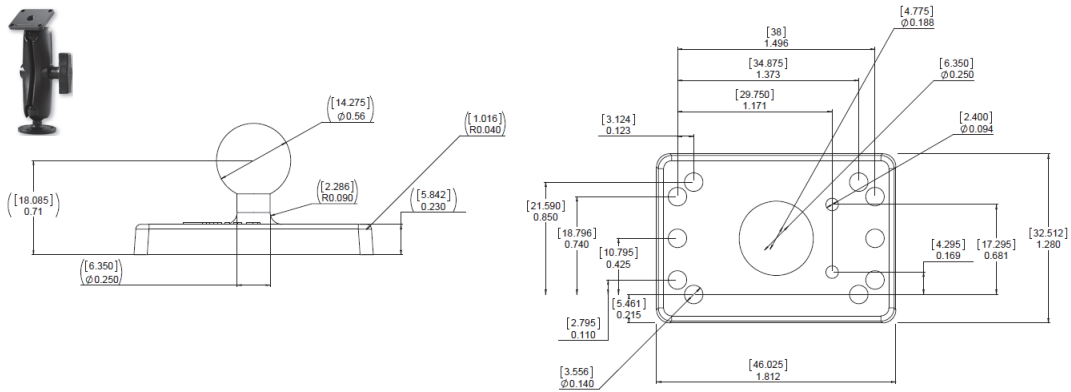
L Bracket Adjustable Angle Mounting Kit V430-AM0



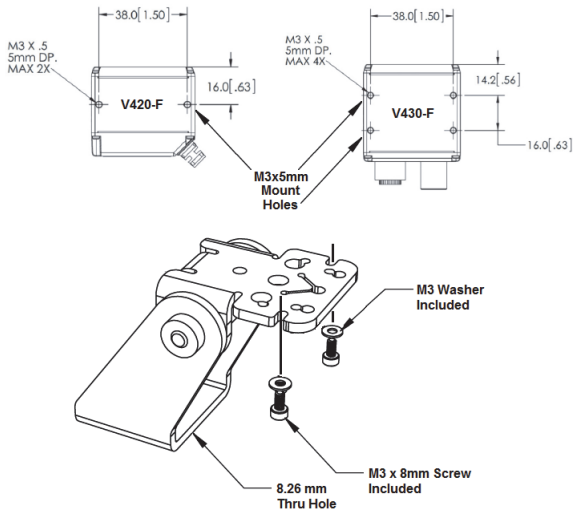
1/4-20 Camera Mounting Block Kit V430-AM1



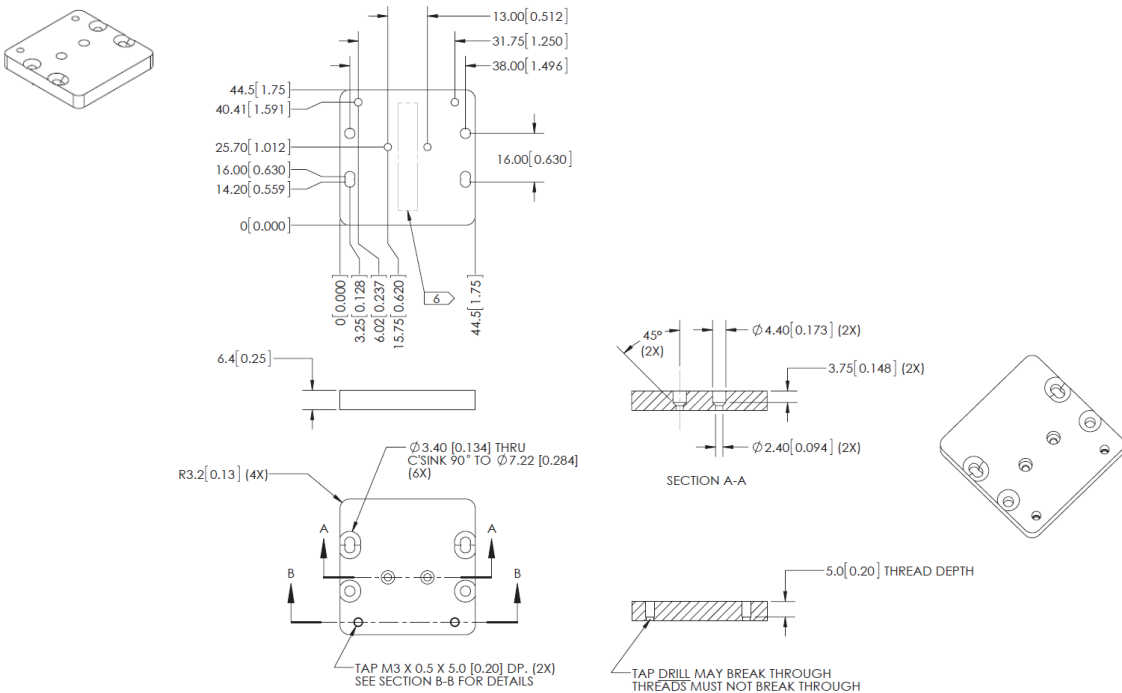
**4" (102 mm) Ram Mount Stand
V430-AM2**



**APG Pan and Tilt Camera Mount
V430-AM3**



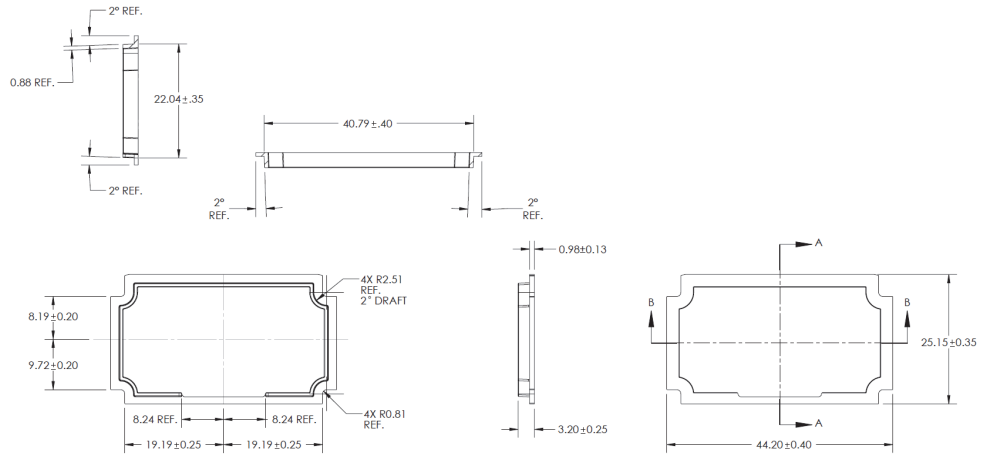
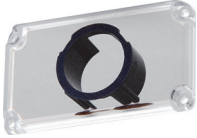
**MS-4 / MINI to V/F4XX-F Adapter Plate
V430-AM5**



**Front Window Installation Kit
V430-AF10 ***

**Diffuser Installation Kit
V430-AF11 ***

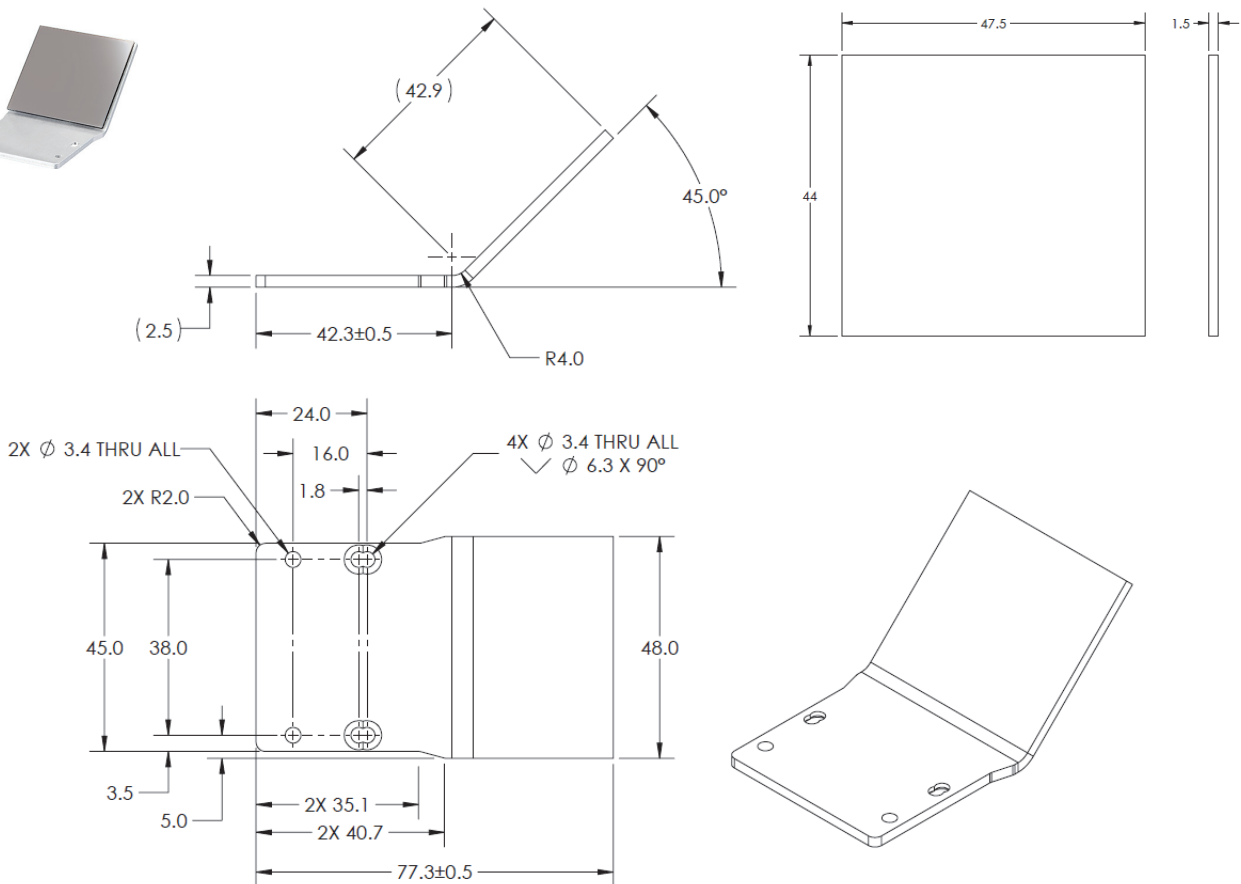
**Polarizer Installation Kit
V430-AF12 ***



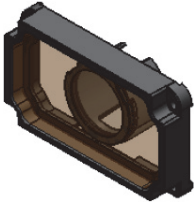
* **Note:** V430-AF10, AF11, and AF12 are used for **MicroHAWK V/F4X0-FXXXXXXX-XXX** cameras in this manual. The prior generation **MicroHAWK V430-FXXXXXXX** code camera uses part numbers V430-AF0, AF1, and AF2. Please select the correct accessory from the table based on your camera part number format.

Accessory	Prior V430-FXXXXXXX Code Reader	New V/F4X0-FXXXXXXX-XXX Code Reader and Smart Camera
Front Window Installation Kit	V430-AF0	V430-AF10
Diffuser Installation Kit	V430-AF1	V430-AF11
Polarizer Installation Kit	V430-AF2	V430-AF12

**Right Angle Mirror Installation Kit
V430-AF3**



YAG Laser Filter Window V430-AF4



Window Material

Polymer

Laser Type

Argon
Broadband
KTP
Nd:YAG

Protection

OD 6+ @ 200-532 nm
OD 4+ @ 850-879 nm
OD 5+ @ 900-1070 nm

The V430-AF4 YAG Laser Filter is used to block a range of wavelengths from a variety of laser types from being seen by the MicroHAWK camera that will either disrupt the camera's view of the object, or damage the MicroHAWK sensor.

The table shows the laser types that are handled by the V430-AF4 Filter window, as well as the level of protection they provide at the various wavelengths.

Note: Optical Density (OD) is a measure of the attenuation of energy passing through a filter. The higher the OD value, the higher the attenuation and the greater the protection level.

OD 4 blocks 99.99% of the laser energy.

OD 5 blocks 99.999% of the laser energy (YAG).

OD 6 blocks 99.9999% of the laser energy (Argon, KTP)

ESD-Safe Window V430-AF5

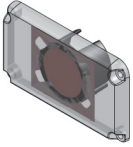


An ESD event occurs when an electrostatic charge rapidly transfers between two objects. This transfer is usually caused when two objects with a notable potential difference in electrical charge contact each other. However, ESD events can also happen when two objects close to one another create a highly charged electrostatic field.

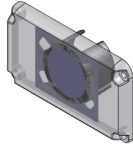
ESD safety precautions are extremely important in the electronics and semiconductor industries where sensitive components can be damaged even by a discharge of a mere 20 volts. Less sensitive components may still be susceptible, and cumulative discharges can create long-term problems affecting the functionality and performance of electronic components.

The MicroHAWK V430-AF5 ESD-Safe window is designed with an ESD coating on the exterior surface to prevent static discharge between the camera or smart camera when the camera is deployed close to the component surface. The antistatic coating offers a resistivity of $\leq 1.0 \times 10^9 \Omega/\text{sq}$ to prevent these electrostatic discharges.

**Red Filter Installation Kit
V430-AF6**



**Blue Filter Installation Kit
V430-AF7**

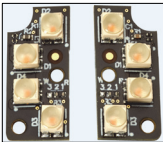


**Red Light Installation Kit
V430-ALR**

**White Light Installation Kit
V430-ALW**

**Blue Light Installation Kit
V430-ALB**

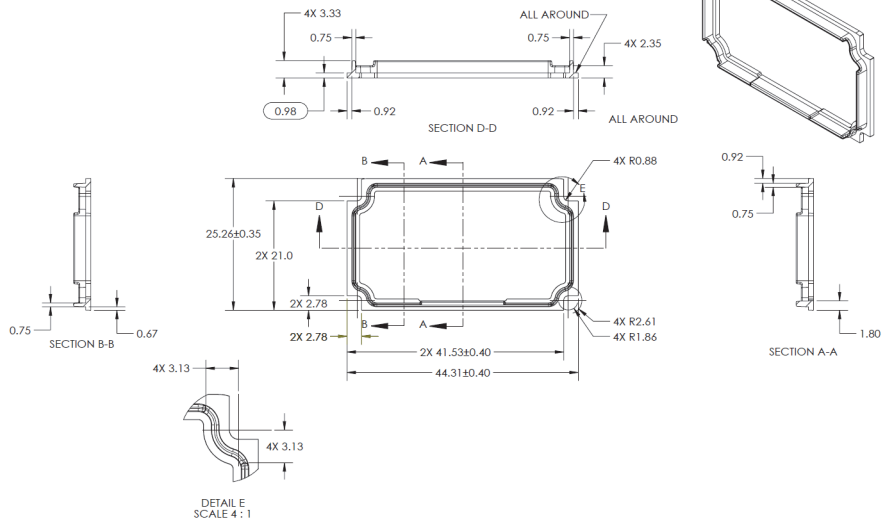
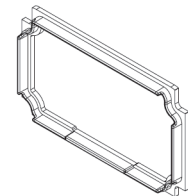
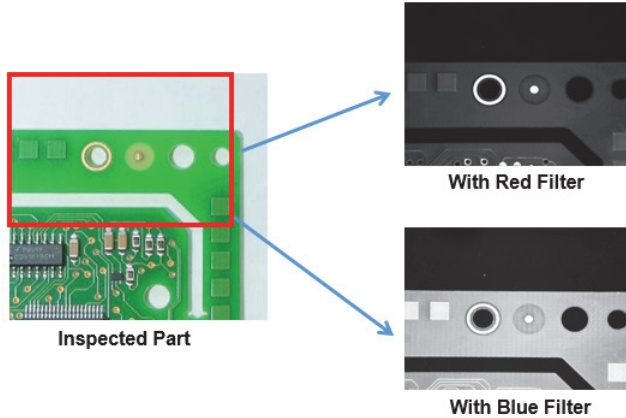
**IR Light Installation Kit
V430-ALI**



Red Filter (V430-AF6) and Blue Filter (V430-AF7)

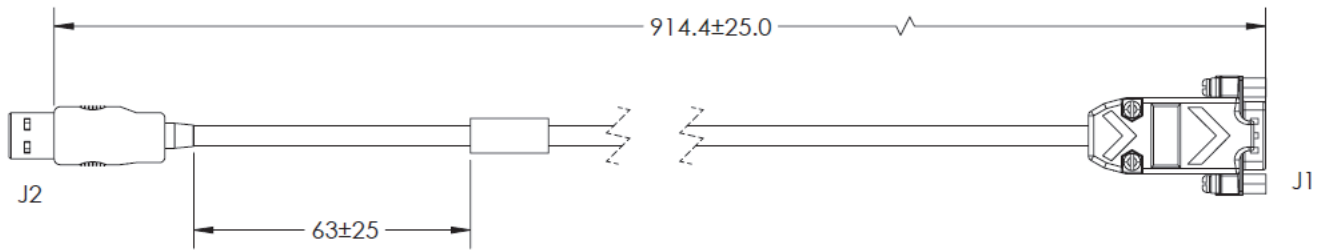
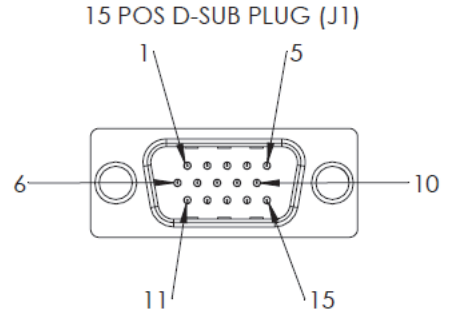
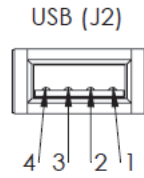
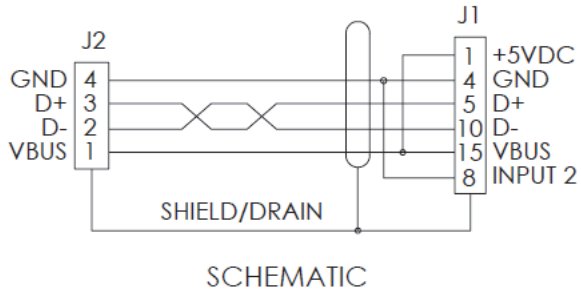
The Red Filter (V430-AF6), and Blue Filter (V430-AF7) are used to turn MicroHAWKs equipped with white lights into units that emit red or blue light. MicroHAWK light color changes can be also be accomplished using the F430-F Red, Blue, White, or IR LED kits.

A typical example of how to use different color filters or LEDs with monochrome cameras is shown below. The emitted color is matched with the color of the part that needs to be emphasized or de-emphasized, which creates sufficient contrast for the part to be inspected or for the symbol to be decoded. In the example below, the red filter makes the reddish copper look bright, while the green circuit board looks dark. The blue filter produces the opposite effect.

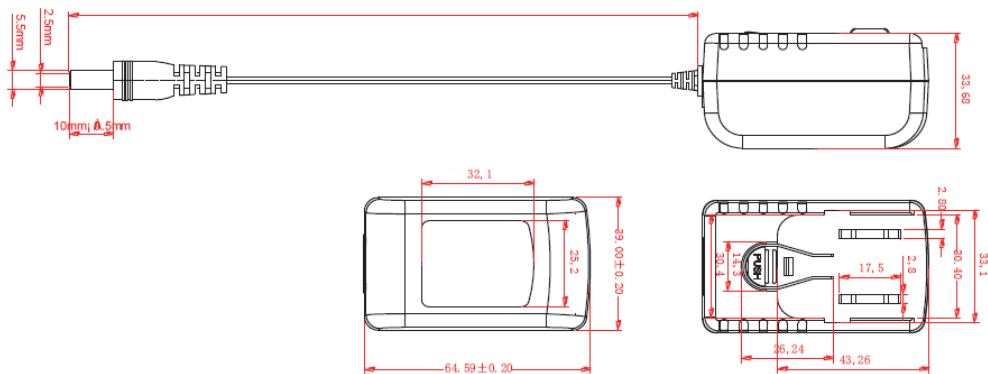
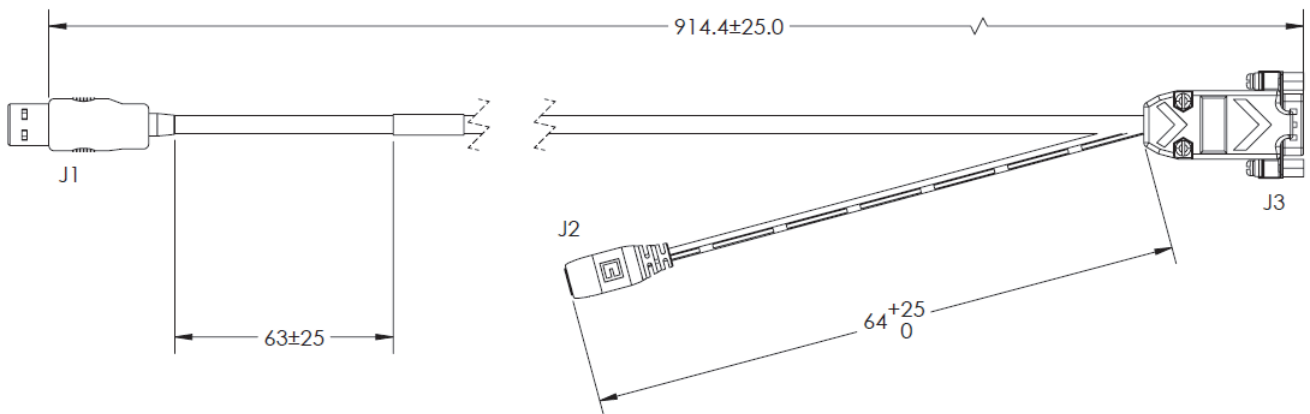
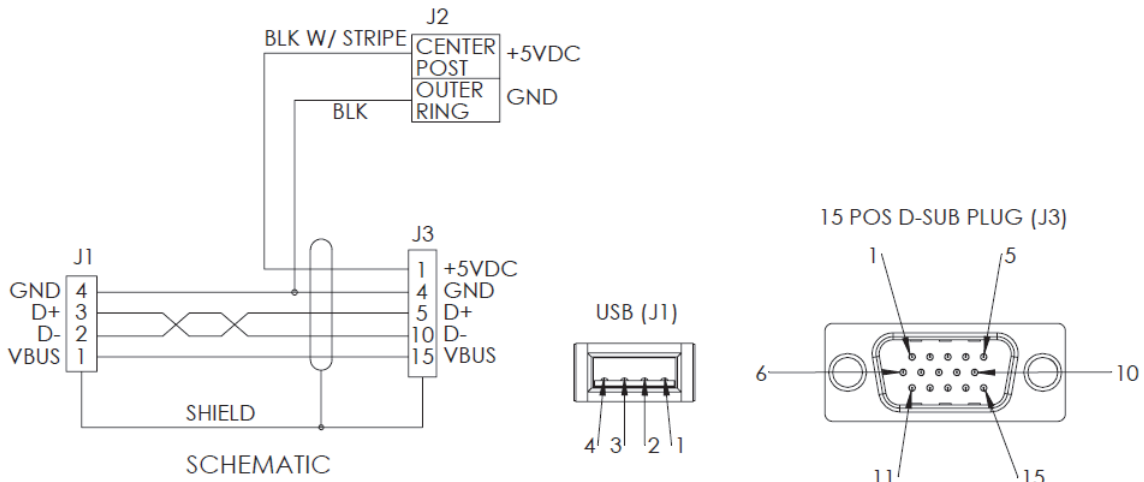
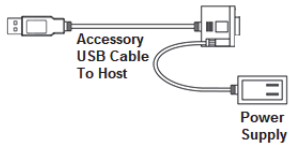


V420-F

USB Breakout Cable – 1 Meter V420-WUB-1M

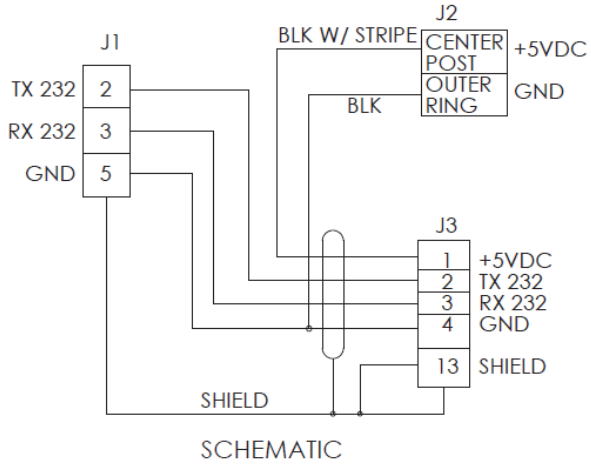
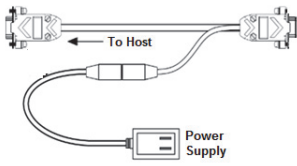


**Kit – USB Breakout Cable with External Power Input (1 Meter) and Power Supply (1 Meter)
V420-AC1**

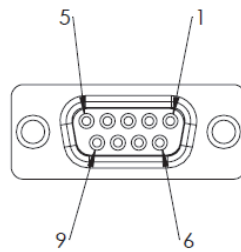


V420-F

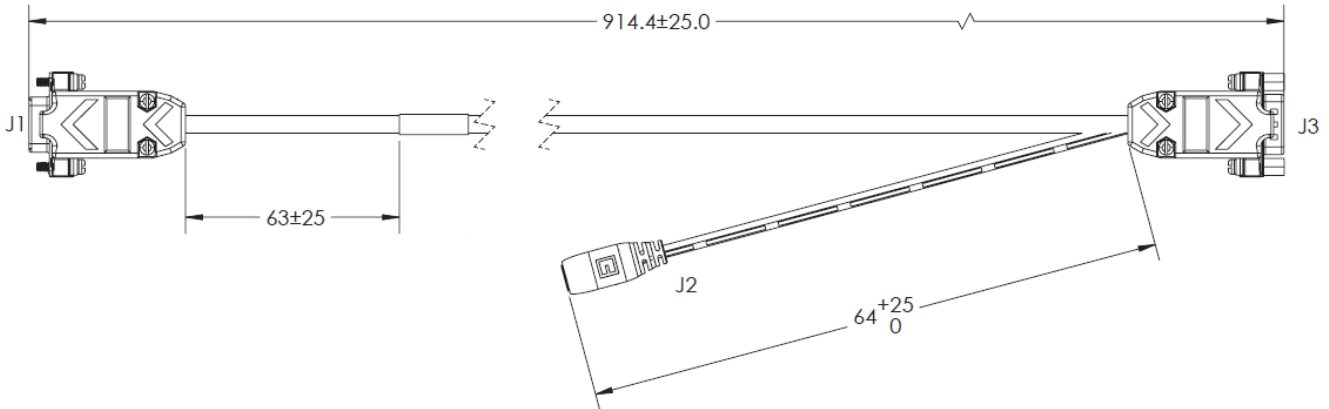
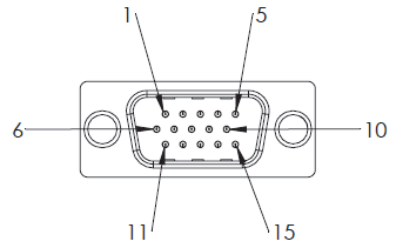
Kit – RS-232 Breakout Cable (DB-15) with External Power Input (1 Meter) and Power Supply (1 Meter) V420-AC0



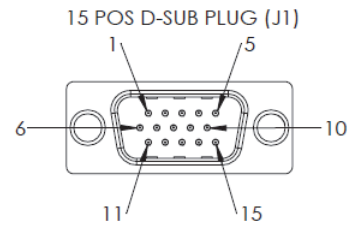
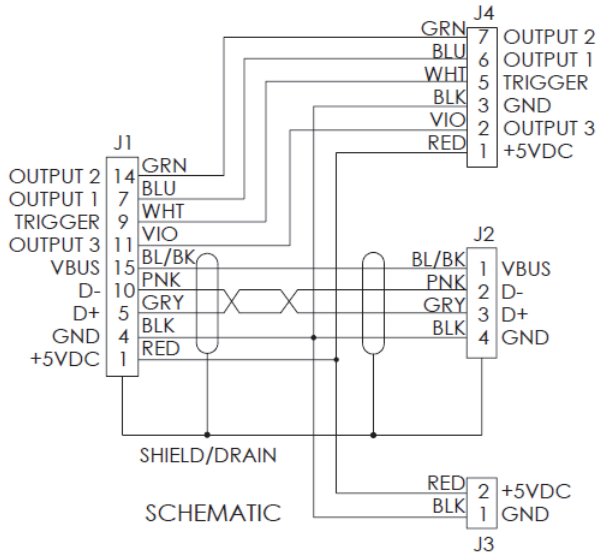
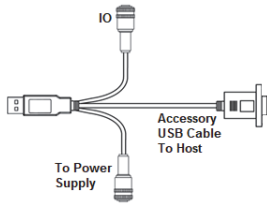
9 POS D-SUB SOCKET (J1)



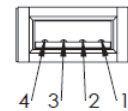
15 POS D-SUB PLUG (J3)



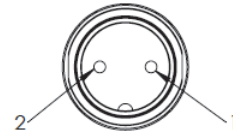
Kit – USB, IO, and Power Breakout Cable (1 Meters) and Power Supply (1 Meter)
V420-AC2



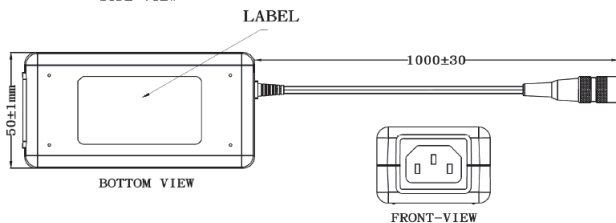
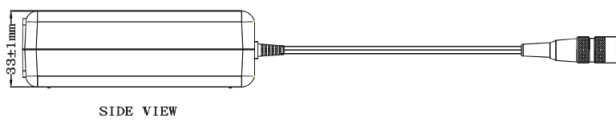
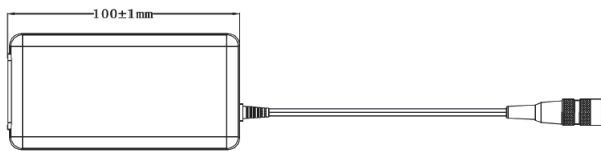
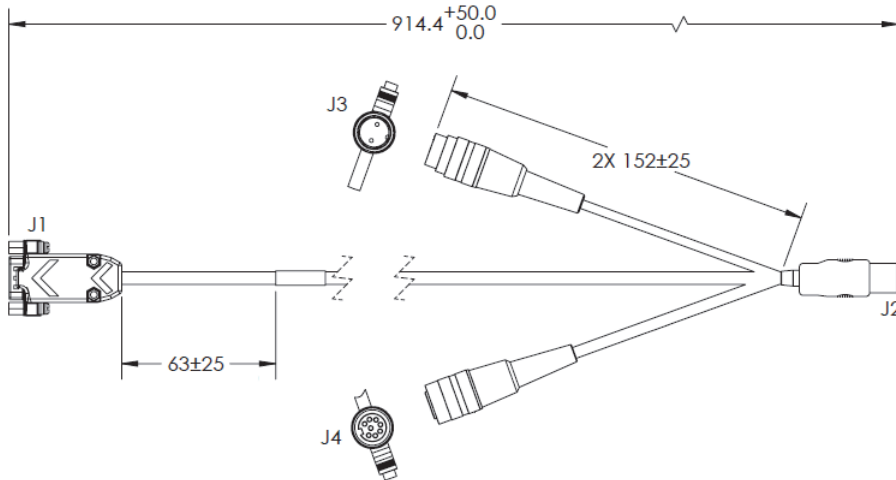
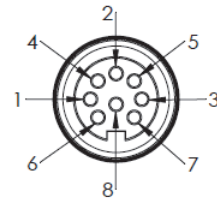
USB (J2)



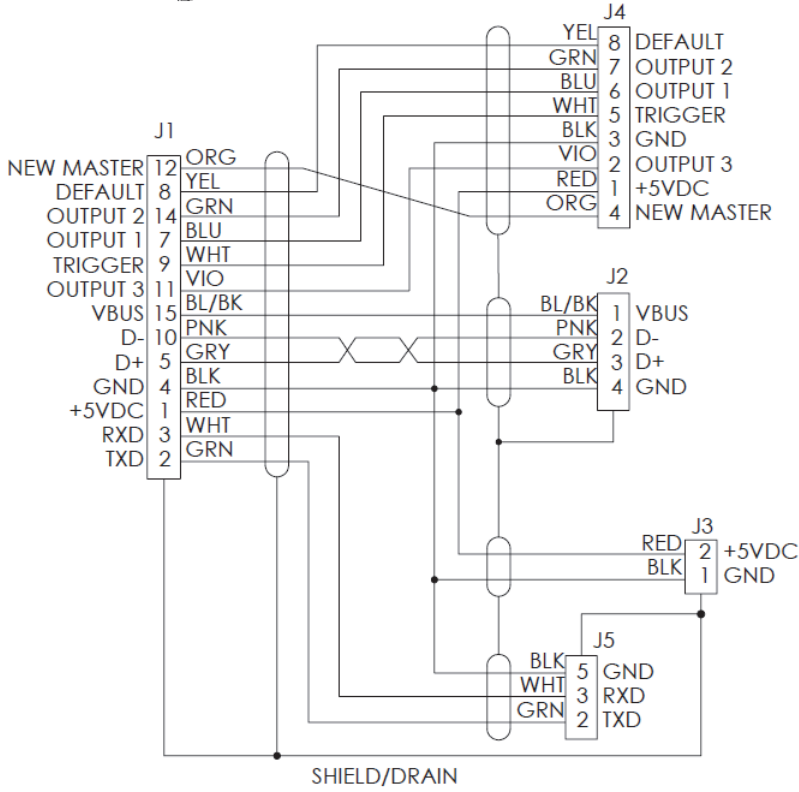
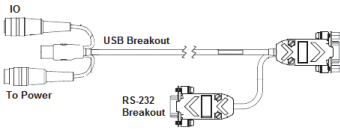
2 POS DIN PLUG (J3)



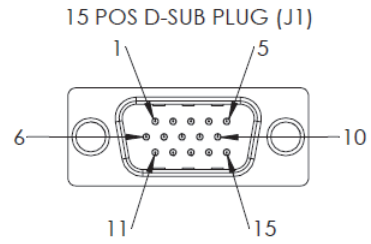
8 POS DIN SOCKET (J4)



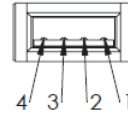
Cable – RS-232, USB, IO, and Power Breakout – 1 Meter V420-WRU8X-1M



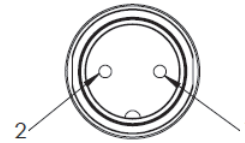
SCHMATIC



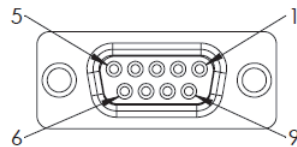
USB (J2)



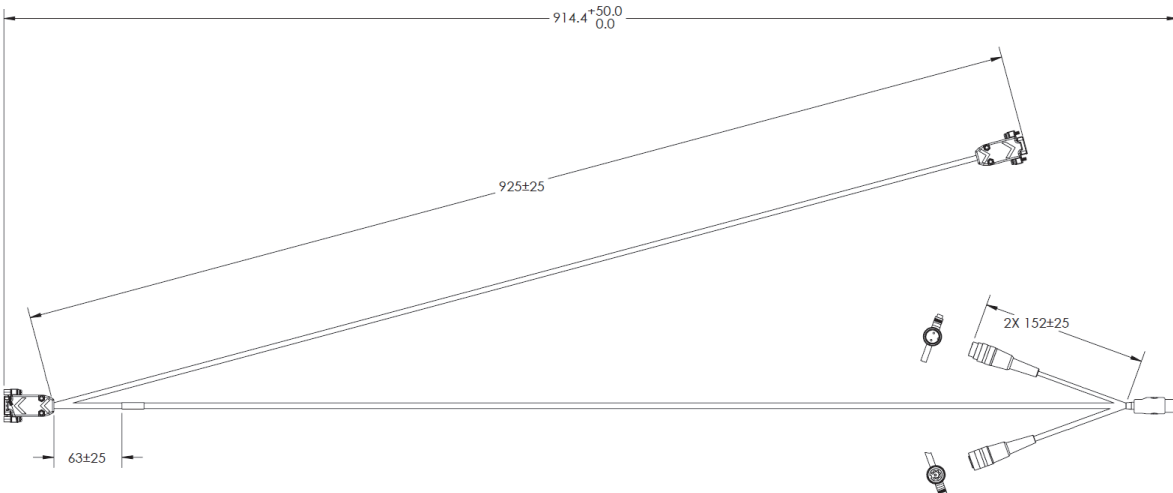
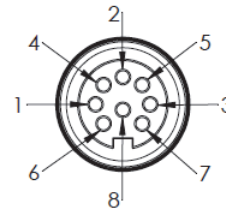
2 POS DIN PLUG (J3)



9 POS D-SUB SOCKET (J5)

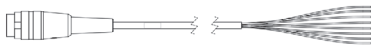


8 POS DIN SOCKET (J4)



**Cable – Trigger, IO, and Power Breakout – 900 MM
61-000151-01**

Plugs into the IO connector on the V420-WU8X-1M and V420-WRU8X-1M cables.

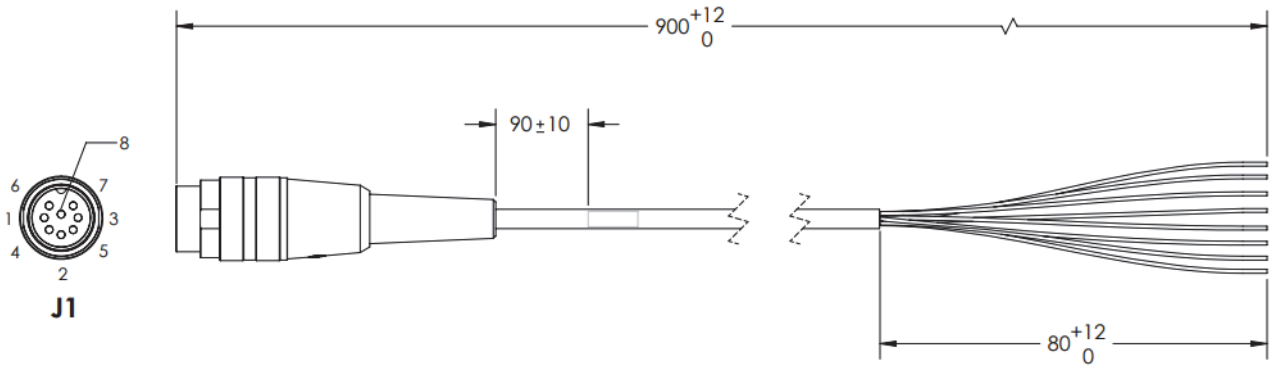


+5 VDC	1	RED
OUTPUT 3	2	WHITE
GND	3	BLACK
NEWMASTER	4	ORANGE
TRIGGER	5	GREEN
OUTPUT 1	6	BLUE
OUTPUT 2	7	BROWN
DEFAULT	8	YELLOW

CABLE SPECIFICATIONS

8 CONDUCTOR STRANDED 22AWG
UL LISTED
PVC JACKET - BLACK OR GREY

J1



Related Manuals

Man. No.	Model	Manual
Z432 (84-9000400-02)	V320-F, V330-F, V420-F, V430-F	MicroHAWK V320-F / V330-F / V420-F / V430-F User Manual

Terms and Conditions Agreement

Read and understand this catalog.

Please read and understand this catalog before purchasing the products. Please consult your OMRON representative if you have any questions or comments.

Warranties.

- (a) Exclusive Warranty. Omron's exclusive warranty is that the Products will be free from defects in materials and workmanship for a period of twelve months from the date of sale by Omron (or such other period expressed in writing by Omron). Omron disclaims all other warranties, express or implied.
- (b) Limitations. OMRON MAKES NO WARRANTY OR REPRESENTATION, EXPRESS OR IMPLIED, ABOUT NON-INFRINGEMENT, MERCHANTABILITY OR FITNESS FOR A PARTICULAR PURPOSE OF THE PRODUCTS. BUYER ACKNOWLEDGES THAT IT ALONE HAS DETERMINED THAT THE PRODUCTS WILL SUITABLY MEET THE REQUIREMENTS OF THEIR INTENDED USE.

Omron further disclaims all warranties and responsibility of any type for claims or expenses based on infringement by the Products or otherwise of any intellectual property right. (c) Buyer Remedy. Omron's sole obligation hereunder shall be, at Omron's election, to (i) replace (in the form originally shipped with Buyer responsible for labor charges for removal or replacement thereof) the non-complying Product, (ii) repair the non-complying Product, or (iii) repay or credit Buyer an amount equal to the purchase price of the non-complying Product; provided that in no event shall Omron be responsible for warranty, repair, indemnity or any other claims or expenses regarding the Products unless Omron's analysis confirms that the Products were properly handled, stored, installed and maintained and not subject to contamination, abuse, misuse or inappropriate modification. Return of any Products by Buyer must be approved in writing by Omron before shipment. Omron Companies shall not be liable for the suitability or unsuitability or the results from the use of Products in combination with any electrical or electronic components, circuits, system assemblies or any other materials or substances or environments. Any advice, recommendations or information given orally or in writing, are not to be construed as an amendment or addition to the above warranty.

See <http://www.omron.com/global/> or contact your Omron representative for published information.

Limitation on Liability; Etc.

OMRON COMPANIES SHALL NOT BE LIABLE FOR SPECIAL, INDIRECT, INCIDENTAL, OR CONSEQUENTIAL DAMAGES, LOSS OF PROFITS OR PRODUCTION OR COMMERCIAL LOSS IN ANY WAY CONNECTED WITH THE PRODUCTS, WHETHER SUCH CLAIM IS BASED IN CONTRACT, WARRANTY, NEGLIGENCE OR STRICT LIABILITY.

Further, in no event shall liability of Omron Companies exceed the individual price of the Product on which liability is asserted.

Suitability of Use.

Omron Companies shall not be responsible for conformity with any standards, codes or regulations which apply to the combination of the Product in the Buyer's application or use of the Product. At Buyer's request, Omron will provide applicable third party certification documents identifying ratings and limitations of use which apply to the Product. This information by itself is not sufficient for a complete determination of the suitability of the Product in combination with the end product, machine, system, or other application or use. Buyer shall be solely responsible for determining appropriateness of the particular Product with respect to Buyer's application, product or system. Buyer shall take application responsibility in all cases.

NEVER USE THE PRODUCT FOR AN APPLICATION INVOLVING SERIOUS RISK TO LIFE OR PROPERTY OR IN LARGE QUANTITIES WITHOUT ENSURING THAT THE SYSTEM AS A WHOLE HAS BEEN DESIGNED TO ADDRESS THE RISKS, AND THAT THE OMRON PRODUCT(S) IS PROPERLY RATED AND INSTALLED FOR THE INTENDED USE WITHIN THE OVERALL EQUIPMENT OR SYSTEM.

Programmable Products.

Omron Companies shall not be responsible for the user's programming of a programmable Product, or any consequence thereof.

Performance Data.

Data presented in Omron Company websites, catalogs and other materials is provided as a guide for the user in determining suitability and does not constitute a warranty. It may represent the result of Omron's test conditions, and the user must correlate it to actual application requirements. Actual performance is subject to the Omron's Warranty and Limitations of Liability.

Change in Specifications.

Product specifications and accessories may be changed at any time based on improvements and other reasons. It is our practice to change part numbers when published ratings or features are changed, or when significant construction changes are made. However, some specifications of the Product may be changed without any notice. When in doubt, special part numbers may be assigned to fix or establish key specifications for your application. Please consult with your Omron's representative at any time to confirm actual specifications of purchased Product.

Errors and Omissions.

Information presented by Omron Companies has been checked and is believed to be accurate; however, no responsibility is assumed for clerical, typographical or proofreading errors or omissions.

- EtherNet/IP™ is a trademark of ODVA.
- QR code is the registered trademark of DENSO WAVE.
- Other company names and product names in this document are the trademarks or registered trademarks of their respective companies.
- The product photographs and figures that are used in this catalog may vary somewhat from the actual products.

Note: Do not use this document to operate the Unit.

OMRON Corporation Industrial Automation Company

Kyoto, JAPAN

Contact: www.ia.omron.com

Regional Headquarters

OMRON EUROPE B.V.
Wegalaan 67-69, 2132 JD Hoofddorp
The Netherlands
Tel: (31)2356-81-300/Fax: (31)2356-81-388

OMRON ELECTRONICS LLC
2895 Greenspoint Parkway, Suite 200
Hoffman Estates, IL 60169 U.S.A.
Tel: (1) 847-843-7900/Fax: (1) 847-843-7787

OMRON ASIA PACIFIC PTE. LTD.
No. 438A Alexandra Road # 05-05/08 (Lobby 2),
Alexandra Technopark,
Singapore 119967
Tel: (65) 6835-3011/Fax: (65) 6835-2711

OMRON (CHINA) CO., LTD.
Room 2211, Bank of China Tower,
200 Yin Cheng Zhong Road,
PuDong New Area, Shanghai, 200120, China
Tel: (86) 21-5037-2222/Fax: (86) 21-5037-2200

Authorized Distributor:

© OMRON Corporation 2020 All Rights Reserved.
In the interest of product improvement, specifications
are subject to change without notice.

Cat. No. SP115E-EN-1220

1220 (0919)